

ELRM-100

LED Running Man Sign



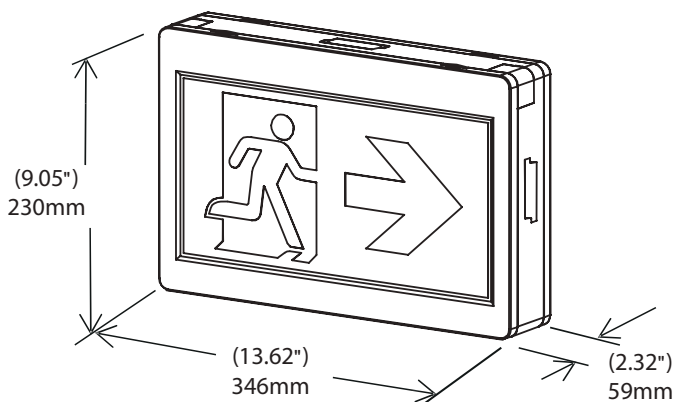
| FEATURES | |
|---------------|-------------|
| Power (W) | 1.5 W |
| Lamp Type | SMD LED |
| Input Voltage | 120/347 VAC |
| Frequency | 60 Hz |
| LED Type | SMD LED |
| Battery Type | Ni-Cd |
| Working Time | 120 Minutes |
| Charging Time | 15-24 Hours |



DESCRIPTION

- Injection-molded thermoplastic ABS housing
- UL-94V-0 flame rating, fire-retardant
- Wall and ceiling mounting
- Input Voltage: 120/347VAC 60Hz
- Super bright SMD LED
- Nickel Cadmium Battery
- Test switch and charge indicator light
- Overcharge & Over-discharge protection
- Backup time: ≥120 minutes
- Conversion time: <0.2 second
- IP Class: IP20
- Insulation: II, Range: 80m2 / 860sq.ft
- Operating Temperature:
0 °C ~ 40 °C / 32 °F ~104 °F

TECHNICAL DRAWING



INCLUDED PICTOGRAMS



Arrow Right 2 pcs



Without Arrow 1 pc