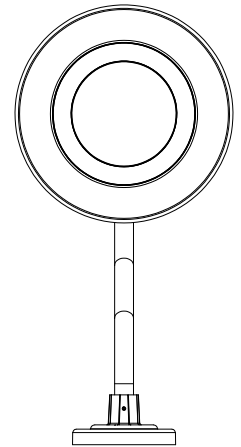
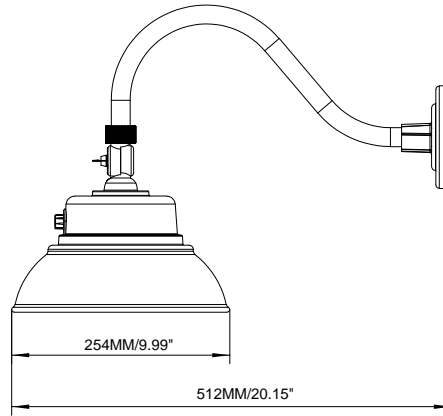
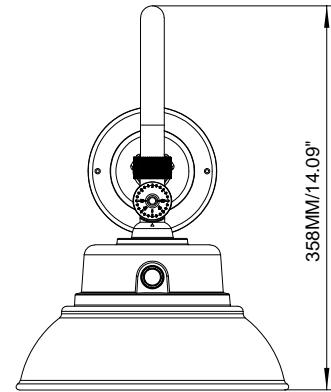


BL300D Series LED Barn Light



Introduction

The BL300D Series use AC DOB LED light technology, distills the benefits of the latest in LED technology into a high performance, high efficacy, long-life luminaire. The outstanding photometric performance results in sites with excellent uniformity, greater pole spacing and lower power density. It is ideal for replacing up to 160W mercury vapor luminaire while saving luminaire while saving 70% in energy costs. The BL300D Series eliminates frequent lamp and ballast replacements associated with traditional technologies. Can be wall mounted with integral bracket.



ORDERING INFORMATION

EXAMPLE: BL303D-25W-30K-BR-PCS

Model	Power	Color	FINISH	Options
BL303D	25W	30K	BR Brown	NPC No photocontrol PCR ANSI TWIST-LOCK Photocontrol Receptacle PCS Electronic type Coin-type Photoelectric Switch
		40K	WH White	
		50K	GR GRAY	
		57K	BL BLACK	

ELECTRICAL SYSTEM

- Input Voltage: 120V/240/277V 50/60Hz
- Power Factor : > 0.99 at full load
- Total Harmonic Distortion: < 15% at full load
- Luminaire is qualified to operate at ambient temperatures of -40°C to +50°C.
- Designed with 0-10V dimming capabilities.
- Integral 10kV surge suppression protection standard.

Notes

- Photocontrol (PE) requires 120/240/277 voltage or short cap optional.
- Features an ultra-durable powder topcoat, providing excellent resistance to corrosion, ultraviolet degradation and abrasion. Gray, silver, black, bronze, platinum bronze, white and so on are available.

INSTALLATION

Can be wall mounted with integral bracket.

REGULATORY & VOLUNTARY QUALIFICATIONS

- cULus Listed.
- Suitable for wet locations.
- Certified to ANSI C136.31-2001, 3G vibration standards.
- 2.5kV surge suppression protection tested in accordance with IEEE/ANSI C62.41.2.
- Meets FCC Part 15 standards for conducted and radiated emissions.
- Luminaire and finish endurance tested to withstand 3,000 hours of elevated ambient salt fog conditions as defined in ASTM Standard B 117.
- RoHS compliant. Consult factory for additional details.
- DesignLights Consortium ®(DLC) qualified product. Not all versions of this product may be DLC qualified. Please check the DLC Qualified Products List at www.designlights.org to confirm which versions are qualified.

WARRANTY

- 10 years limited warranty is standard on luminaire and components.

BL300D Series Performance Data

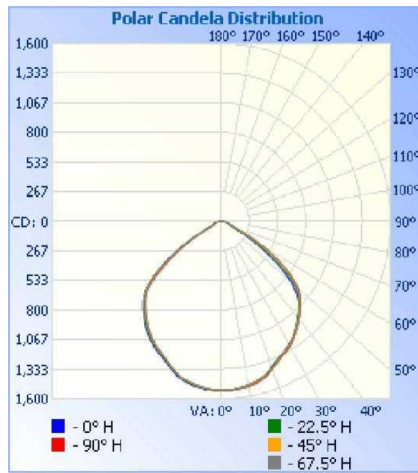
Lumen Output

Lumen values are from photometric tests performed in accordance with IESNA LM-79-08. Data is considered to be representative of the configurations shown, within the tolerances allowed by Lighting Facts. Actual performance may differ as a result of enduser environment and application. Actual wattage may differ by +/- 10% when operating between 120-277V +/- 10%. Contact factory for performance data on any configurations not shown here.

MODEL	LEDS	LED CURRENT	RATED WATTS	30K(3000K,70CRI)		40K(4000K,70CRI)		50K(5000K,70CRI)		57K(5700K,70CRI)	
				LUMENS	LPW	LUMENS	LPW	LUMENS	LPW	LUMENS	LPW
BL303D	144	60mA	25W	3250	130	3250	130	3250	130	3250	130

Photometric Diagrams

To see complete photometric reports or download .ies files for this product Isfootcandle plots for the BL303D.Distances are in units of mounting height (15')



Electrical Data

MODEL	LEDS	LED CURRENT	SYSTEM WATTS	Current		
				120	240	277
BL303D	144	60mA	25W	0.2	0.1	0.09

Lumen Ambient Temperature (LAT) Multipliers

Ambient		Lumen Multiplier
0°C	32°F	1.02
10°C	50°F	1.01
20°C	68°F	1.00
25°C	77°F	1.00
30°C	86°F	1.00
40°C	104°F	0.99

Luminaire Lumen Maintenance Factors (LMF)

Data references the extrapolated performance projections for the platforms noted in a25°C ambient, based on 10,000 hours of LED testing (tested per IESNA LM-80-08 and projected per IESNA TM-21-11).

To calculate LLF, use the lumen maintenance factor that corresponds to the desired number of operating hours below. For other lumen maintenance values, contact factory.

Operating Hours	0	25000	50000	75000	100000
Lumen Maintenance Factor	BL303D 144 LED 0.06A				
	100%	96%	94%	92%	90%