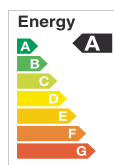
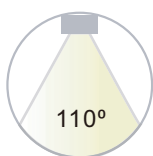


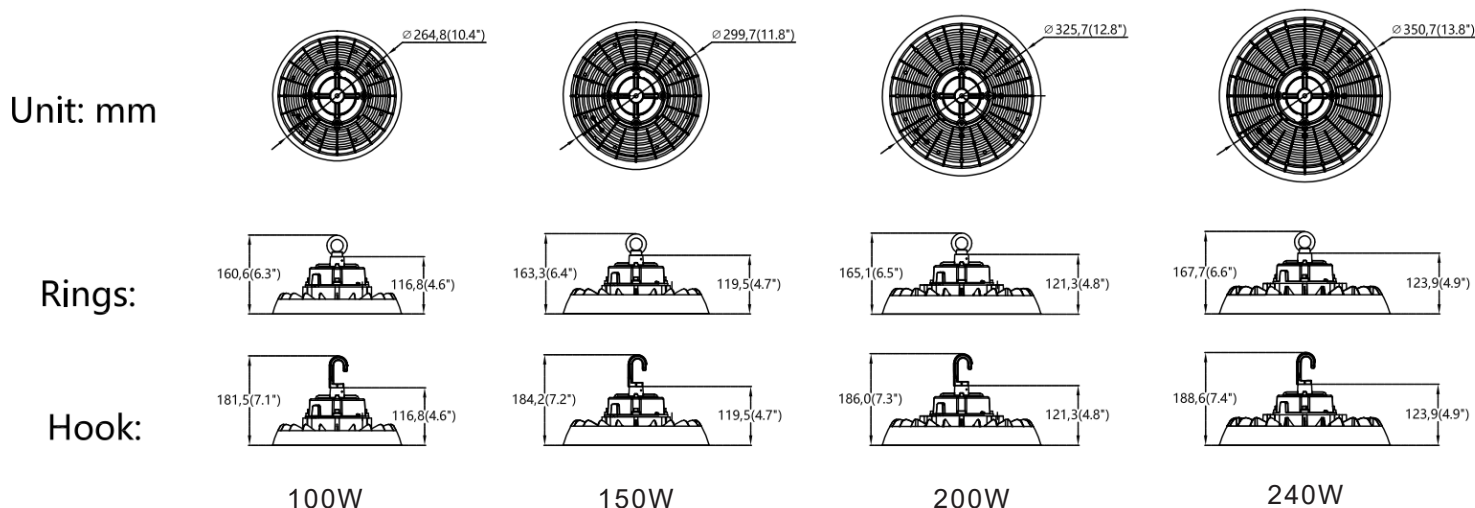
# LED UFO HIGH BAY



## Features

1. Fins design advective holes and grooves in each fin, good for heat dissipation;
2. The wide input voltage range AC120-277V(1-10V dimming); Fahold driver, 2835 LED as light source;
3. Professional light distribution technique, high light reflectivity reflectors, 110° beam angle available; The lens pass rate is over 90%
4. Light weight and small size, save about half shipping costs.

## Product Dimension



## Lighting Parameters

Model Number	Wattage	Working Voltage	CCT	Lamp Bead Model	LED Driver	Beam Angle	Lighting Efficiency	Color Rendering Index	Operating Temperature	Storage Temperature	Environment Location	Life span	Lamp shell
UHB1210-100W-110-X-XXK(XX)	100W	AC 120-277V	3500K 4000K 5000K 5700K 6500K	2835	Fahold	110°	135lm/W & 150lm/W	Ra>80	-40°F~122°F -40°C~50°C	-40°F~158°F -40°C~70°C	Wet Location	≥50000H	Black & White
UHB1215-150W-110-X-XXK(XX)	150W												
UHB1220-200W-110-X-XXK(XX)	200W												
UHB1224-240W-110-X-XXK(XX)	240W												

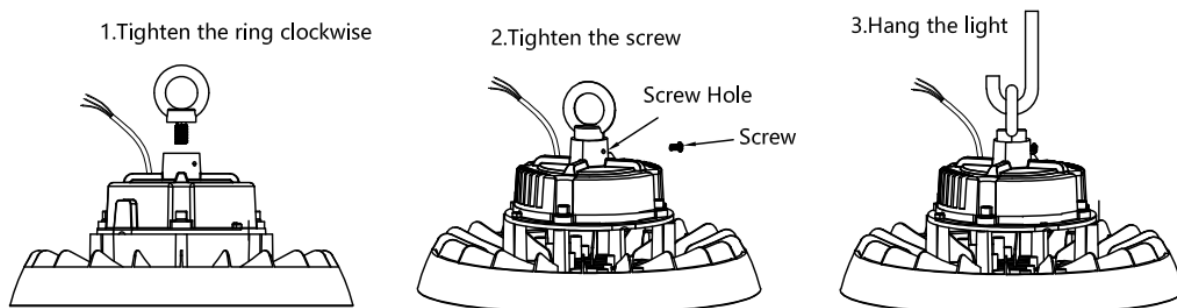
"X" can be "H" or "HY" (Y=number) to represent lighting effect (no effect to power);

"XXK" can be "35K", "40K", "50K", "57K", "65K";

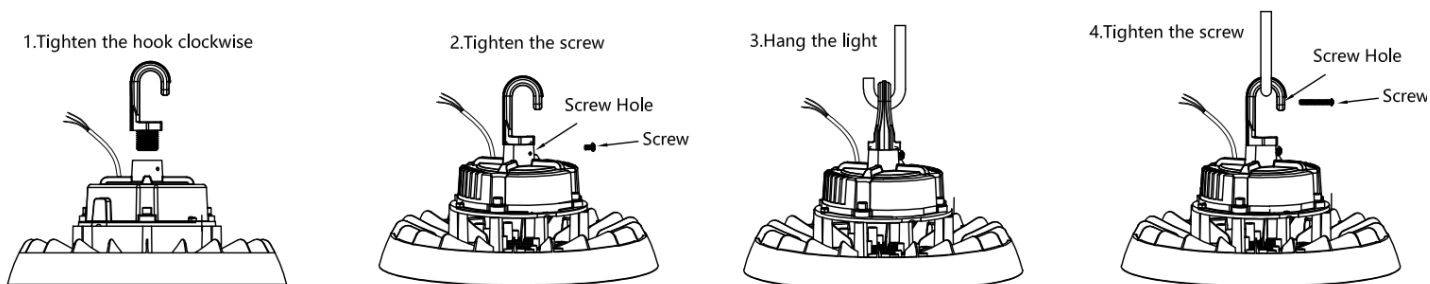
"(XX)" can be (MS) to indicate with Microwave Sensor or (PIR) to indicate with PIR Sensor or (BT) to indicate with Bluetooth Microwave Sensor or blank to indicate without Sensor.

## Installation Instruction

### 1. Rings type:



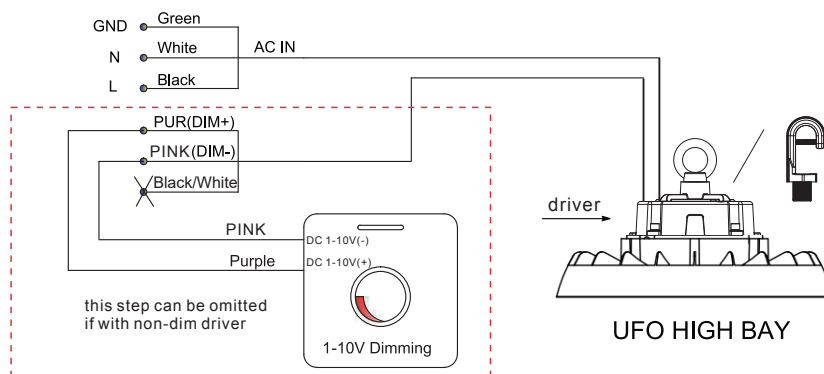
### 2. Hook type:



## Wiring Connection

Turn off the power, connect AC wire. black wire to L, white wire to N, and green wire to E. Dimmer connection (with dimmable driver.)

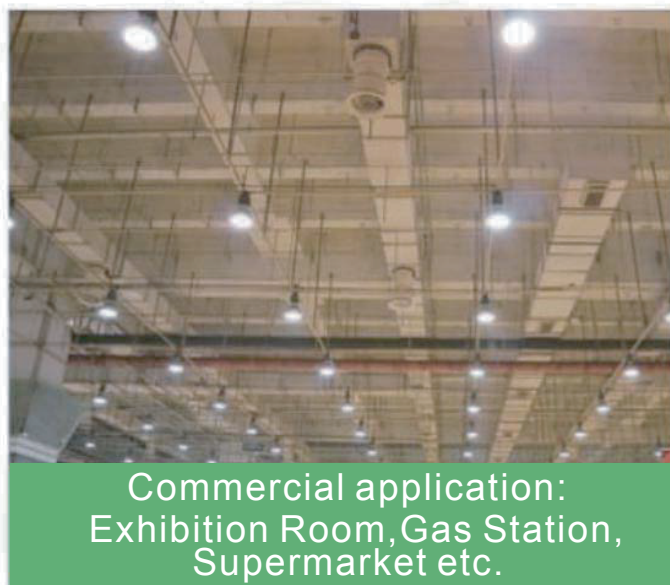
1. Compatible with 1-10V dimming.
2. Connect wires as below, purple wire is D+, Pink wire is D-, Black/White wire is 12V



## Packing information

Power	Outer box (L*W*H)	Oty/Ctn (pcs)	N.W./Ctn (kg/lbs)	G.W./Ctn (kg/lbs)	Remarks
100W	12.01"x12.01"x6.89" (305*305*175mm)	1	1.75/3.56	2.75/6.06	2M cable
150W	14.49"x14.49"x6.97" (368*368*177mm)	1	2.10/4.63	3.25/7.17	
200W	15.43"x15.43"x7.09" (392*392*180mm)	1	2.50/5.51	3.72/8.20	
240W	16.46"x16.46"x7.17" (418*418*182mm)	1	2.80/6.17	4.05/8.93	

## Applications



## Note

1. Any form of installation/uninstallation or maintenance and electrical work must only be performed by a qualified electrician.
2. All wiring should be done after cutting off the power.
3. The UFO high bay light must be grounded.
4. Always keep the lens/diffuser of UFO high bay light cleaned to maintain good light transmission.
5. Always keep the shell of UFO high bay cleaned to maintain good heat dissipation.
6. Cleaning must only be done with dry or wet cloth and the high bay should not be exposed to corrosive substance.
7. High voltage inside the fixture, please do not disassemble it, Serious electric shock may occur otherwise.