

# UFO Highbay



## Features

- ◆ 2019 Private mold, unique design
- ◆ AC120-277V/AC120-347V/AC277-480V optional
- ◆ Seoul SMD LED
- ◆ High efficacy, 140lm/w and 160lm/w
- ◆ High power factor, low THD driver with 4kV surge protection
- ◆ Microwave sensor and Emergency backup optional
- ◆ IP66 waterproof, dust, corrosion and pressure-proof
- ◆ Environment temperature: -20°C~45°C
- ◆ 5 years warranty

### Application:

- Warehouse
- Stadiums
- Factories
- Supermarket
- Logistics Center
- Exhibition Hall





## Parameters

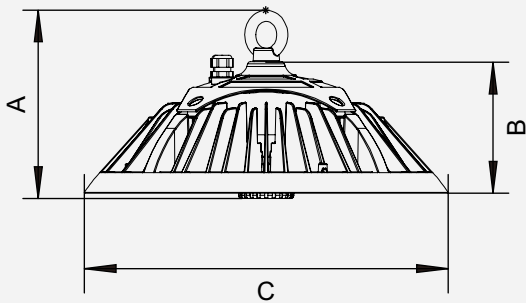
Model #	Size	Power	140lm/w		160lm/w		Input voltage	Beam angle
			CRI	Lumen	CRI	Lumen		
CWBS4P60-XXK-YZ-X	Φ11.62''*5.4''	60W	>95	6600LM	>70	AC120-277V AC120-347V	60° 120°	
CWBS4P80-XXK-YZ-X		80W		8800LM				
CWBS4P100-XXK-YZ-X		100W	14000LM	16000LM				
CWBS4P150-XXK-YZ-X		150W	21000LM	24000LM				
CWBS4P200-XXK-YZ-X	Φ12.95''*6.7''	200W	>80	28000LM	>70	AC277-480V	60° 120°	
CWBS4P250-XXK-YZ-X		250W		35000LM				40000LM
CWBS4P100-HV-XXK-YZ-X	Φ11.62''*7.3''	100W	>80	13000LM	>70	AC277-480V	60° 120°	
CWBS4P150-HV-XXK-YZ-X		150W		19500LM				22500LM
CWBS4P250-HV-XXK-YZ-X		250W		32500LM				37500LM

# Ordering Guide

For example: CWBS4P100-HV-XXK-YZ-X

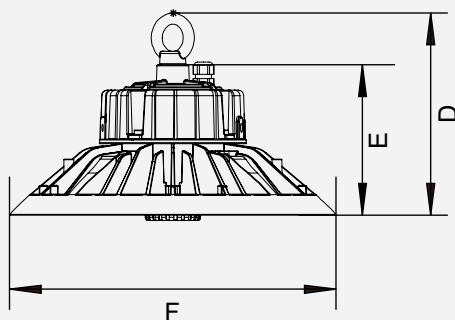
Product name	Power	Input voltage	CCT	Beam angle	Sensor	Lighting efficacy
<b>HBS4</b>	<b>P100</b>	<b>HV</b>	<b>XXK</b>	<b>Y</b>	<b>Z</b>	<b>X</b>
CWBS4	60W 80W 100W 150W 200W 250W	Blank AC120-277V/ 120-347V HV AC277-480V	40K 4000K 50K 5000K 57K 5700K	60 60° 120 120°	S With D Without	A 140LM/W B 160LM/W

## Dimension



AC120-277V/AC120-347V

Power / Size	A	B	C
60w/80w/100w/150w	5.4"	3.54"	Φ11.62"
200W/250w	6.51"	4.65"	Φ12.95"

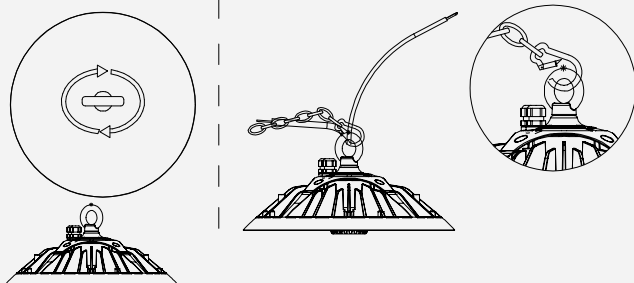


AC277-480V

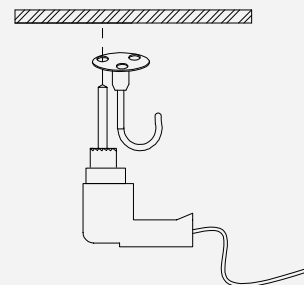
Power / Size	D	E	F
100W/150W	7.20"	5.36"	Φ11.62"
250w	7.87"	6.04"	Φ12.95"

# Installation

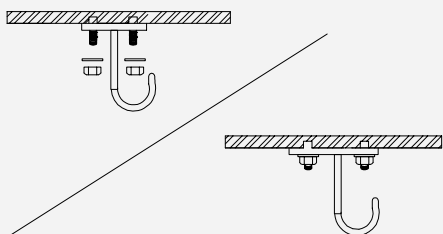
**ALWAYS TURN OFF THE POWER SUPPLY FROM MAIN CIRCUIT BREAKER FIRST!**



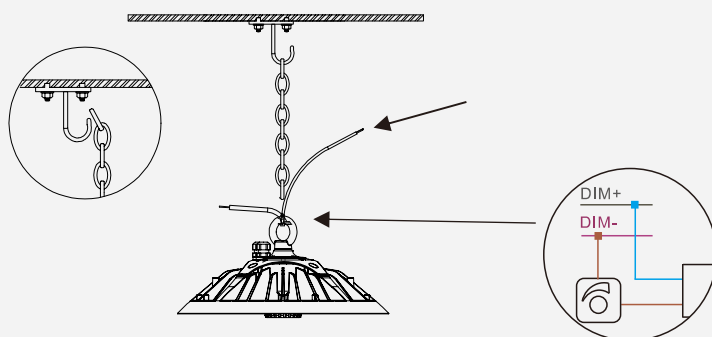
**Diagram1:** Fix the hook on the light. (clockwise rotation). link up the hook and Carabiner.



**Diagram2:** Use electric drill to bore a hole on the wall.

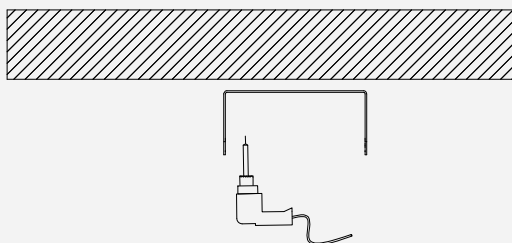


**Diagram3:** Fix the hanger on the wall with screws.

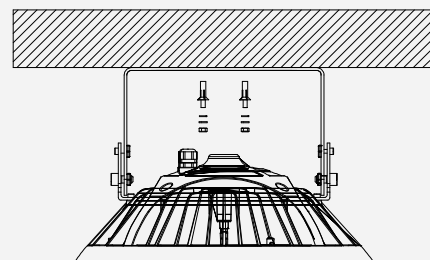


**Diagram4:** Fix one end of the chain to the wall, another end to the O hook from light, finish the installation.

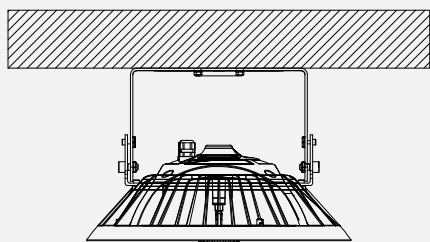
Dimmer connect the wires:  
 DIM+ match DIM+;  
 DIM- match DIM-



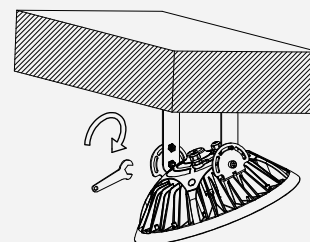
**Diagram1:** Use electric drill to bore a hole on the wall.



**Diagram2:** Set the expansion screws to the existing drilling hole.



**Diagram3:** Fix the U bracket to the wall by nut, plain cushion, Spring shim



**Diagram4:** Use wrench to reverse hexagon nut to adjust the requested angle.

# Package Info.

Model	Carton Dimension	Qty / Carton	N.W	G.W	20GP	40HQ
60W/80W/100W/150W (AC120-347V)	13.4"*13.4"*5.5"	1PCS	6.6lbs	8.38lbs	1518pcs	4177pcs
200W/250W (AC120-347V)	15"*15"*6.3"	1PCS	10.14lbs	12.15lbs	1090pcs	3000pcs
100W/150W (AC277-480V)	13.4"*13.4"*8.3"	1PCS	10.10lbs	11.99lbs	895pcs	2462pcs
250W (AC277-480V)	15"*15"*8.7"	1PCS	14.48lbs	16.25lbs	615pcs	1692pcs

## Safety Precaution

To reduce the risk of death, personal injury or property damage from fire, electric shock, falling parts, cuts/abrasions, and other hazards read all warnings and instructions included with and on the fixture box and all fixture labels.

Before installing, servicing, or performing routine maintenance upon this equipment, follow these general precautions.

Commercial installation, service and maintenance of luminaires should be performed by a qualified licensed electrician.

For The installation: If you are unsure about the installation or maintenance of the luminaires, consult a qualified licensed electrician and check your local electrical code.

To prevent wiring damage or abrasion, do not expose wiring to edges of sheet metal or other sharp objects.

Do not make or alter any open holes in an enclosure of wiring or electrical components during kit installation.

### **WARNING: RISK OF FIRE OR ELECTRICAL SHOCK**

Turn off electrical power at fuse or circuit breaker box before wiring fixture to the power supply.

Turn off the power when you perform any maintenance.

Verify that supply voltage is correct by comparing it with the luminaire label information.

Make all electrical and grounded connections in accordance with the National Electrical Code and any applicable local code requirements.

All wiring connections should be capped with UL approved wire connectors.

### **CAUTION: RISK OF INJURY**

Avoid direct eye exposure to the light source while it is on.

Account for small parts and destroy packing material, as these may be hazardous to children.

SUITABLE FOR DRY OR DAMP LOCATION