

FL-SLIM LED FLOOD LIGHT

Versatile LED Flood light fixture with a 130 lumen per watt plus output is one of the most cost effective flood light/area light on the market today. Comes standard with 10w-200w with optional 1-10v dimmable.



Technical Parameters

Fixture housing	Aluminum + PC Lens
Fixture Color	Bronze (standart) , Black, White
Mounting Type	Wall mount
Application projects	Outdoor, sports ground, wall pack, square,advertisement board,parking lot etc. outdoor lighting projects.
Certificates	Approved UL&CUL(# E476588), FCC, CE, RoHS
Warranty	5 Years

Electrical Parameters

ITEM	10W	20W	30W	50W	80W	100W	120W	150W	200W
Power Consumption	9.9W	21W	31W	51W	81W	102W	122W	153W	203W
LED Source	PHILIPS SMD3030 LED								
Input Voltage Range	85-265VAC; 100-277VAC; 347VAC								
Frequency Range	50/60Hz								
Power Factor	>0.95								
THD	<12%								
Power line	UL SJTW 3G18AWG/ VDE H05RNF 3G1.0mm								

FL-SLIM LED FLOOD LIGHT

Versatile LED Flood light fixture with a 130 lumen per watt plus output is one of the most cost effective flood light/area light on the market today. Comes standard with 10w-200w comes standard 1-10v dimmable.

Optical & Efficiency Parameters

Beam Angle	Type V (120°)
Color Temperature	2700K--3200K, 4000K-4500K, 5000K-5500K, 5700K, 6000K-6500K
Lumen Efficiency	>130LM/W
Lumen Output	10w=1300lm, 20w=2600lm, 30w=3900lm, 50w=6500lm, 80w=10400lm, 100w=13000lm, 150w=19500, 200w= 26000lm
Color Rendering Index	CRI> 80Ra IP
Rating	IP65
IK Level	IK08
LED JT < 69°C Working	
Temperature -25°C ~ +50°C Humidity	
10%~90%RH	
Life-span (L70)	>50,000Hrs

Options

PIR motion sensor/ Microwave motion sensor
Photocell Sensor (100-277VAC only)
Finish color: Black/ Bronze/ Grey

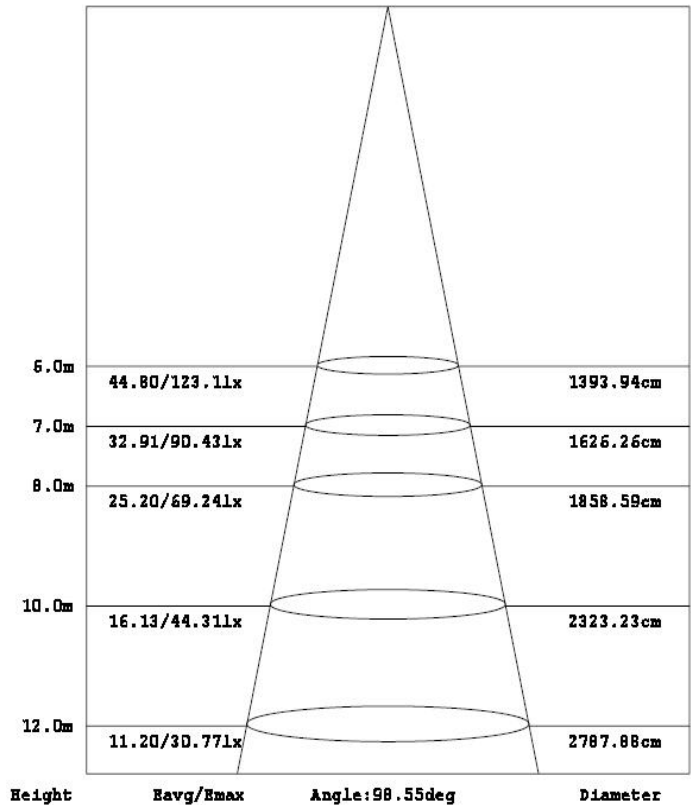
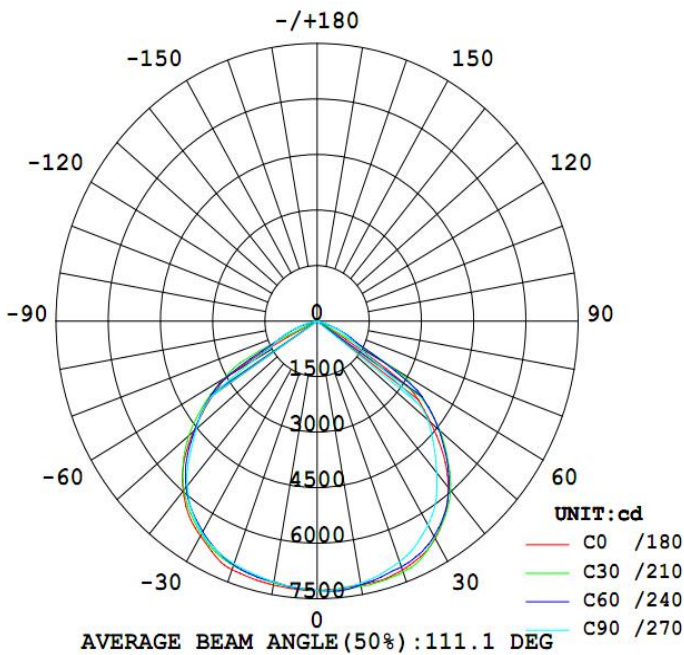
Advantages

- ◆ Optional 1-10V dimmable, motion sensor functions
- ◆ High quality Aluminum Fixture, professional cooling design, better cooling LED Tj < 69°C.
- ◆ IP65 waterproof Rating
- ◆ Versatile- Flood or parking area, billboard lighting, security etc. outdoor lighting projects
- ◆ Special thermal design, reduce fixture weight and ensure good heat dissipation, lower luminous decay to extend life span of the leds.
- ◆ Environment friendly, no UV, no IR, no mercury or other hazardous substances
- ◆ Very low rate of failure
- ◆ 5 years warranty
- ◆ Complete with a 10KA surge protector (100-277V) and 347V has built in input Surge protection 4KV line-line, 6KV line- earth

FL-SLIM LED FLOOD LIGHT

Versatile LED Flood light fixture with a 130 lumen per watt plus output is one of the most cost effective flood light/area light on the market today. Comes standard with 10w-200w comes standard 1-10v dimmable.

Optical and Photometrics



Product Code Guide

ITEM CODE	WATTAGE	CCT	VOLTAGE
FL01-LED FLOOD LIGHT	10W	30K- 3000K	85-265V
	20W	40K-4000K	110V
	30W	50K-5000K	120-277V
	55K-5500K	347V
	150W	60K-6000K	
	200W	65K-6500K	

FL01 - 10W/20W 150W/ 200W - 40K/ 50K - 120V/347V

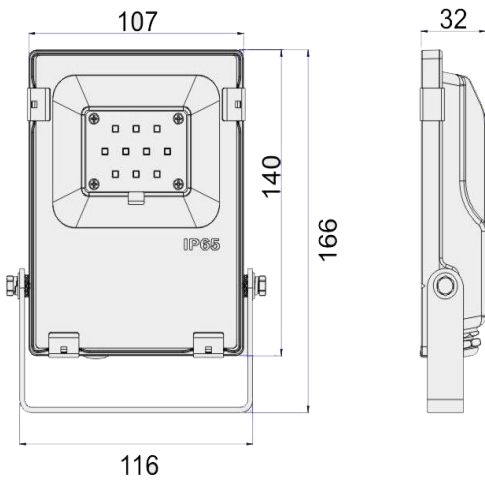
Item code Watts CCT Voltage

Example: FL01-150W-40K-120-WE (WallPack-Cut off, 50W, CCT 4000K, 120-277VAC)

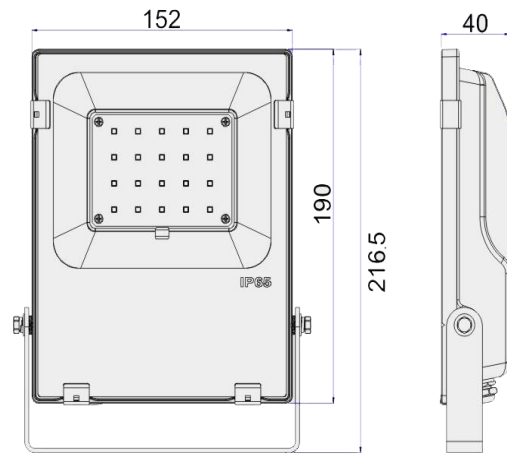
FL-SLIM LED FLOOD LIGHT

Versatile LED Flood light fixture with a 130 lumen per watt plus output is one of the most cost effective flood light/area light on the market today. Comes standard with 10w-200w with optional 1-10v dimmable.

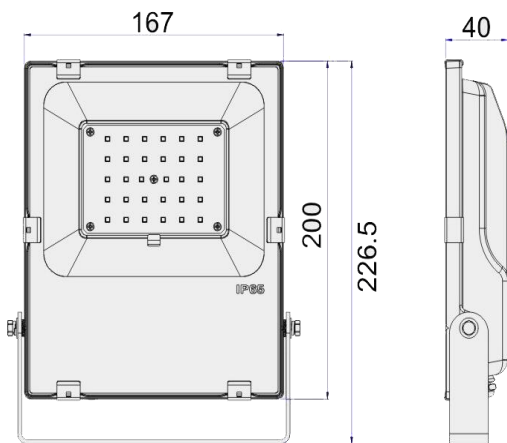
Fixture Dimensions



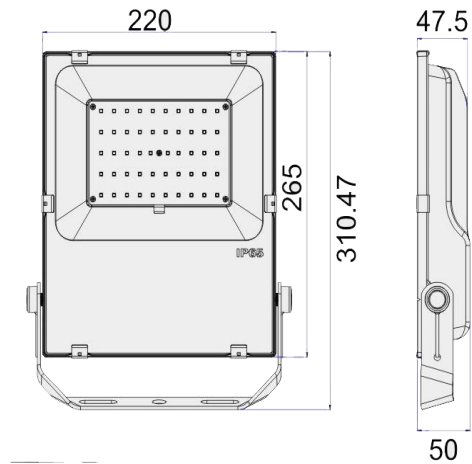
10W Flood Light Fixture



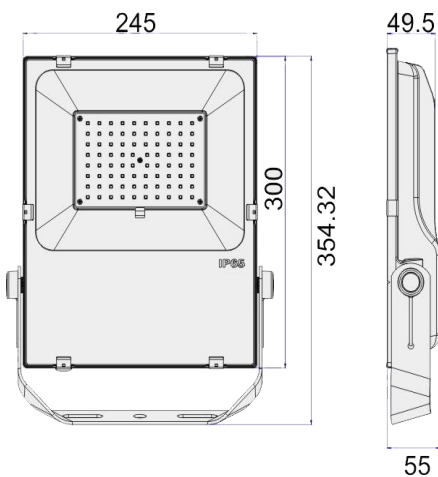
20W Wallpack Fixture



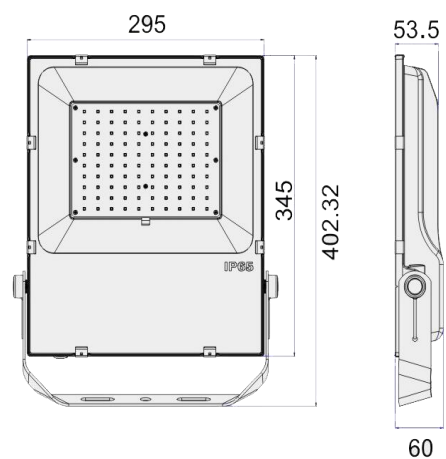
30W Flood Light Fixture



50W Wallpack Fixture



80W Flood Light Fixture



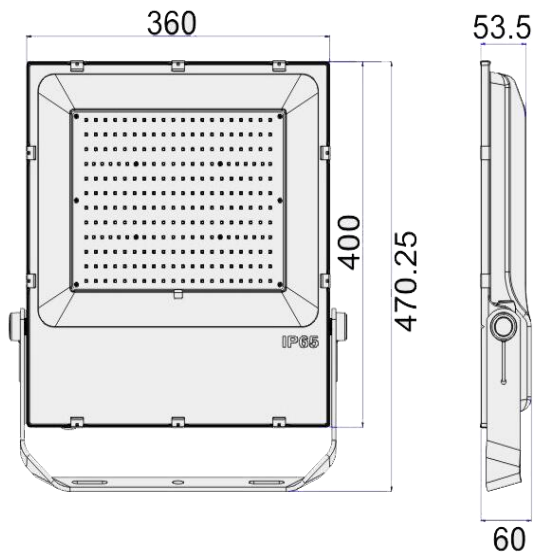
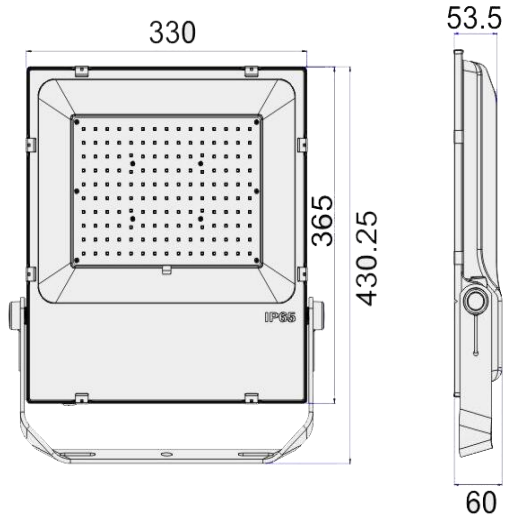
100W Wallpack Fixture

FL-SLIM LED FLOOD LIGHT

Versatile LED Flood light fixture with a 130 lumen per watt plus output is one of the most cost effective flood light/area light on the market today. Comes standard with 10w-200w comes with optional 1-10v dimmable.

Fixture Dimensions

150W Flood Light Fixture



200W Flood Light Fixture

Packing Details

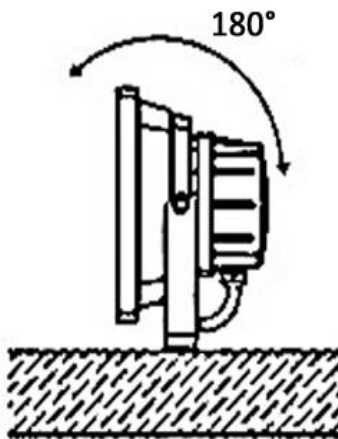
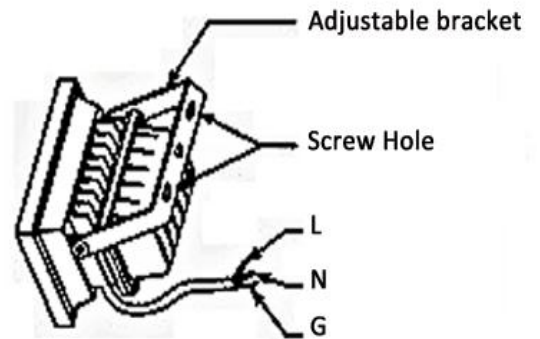


FL-SLIM LED FLOOD LIGHT

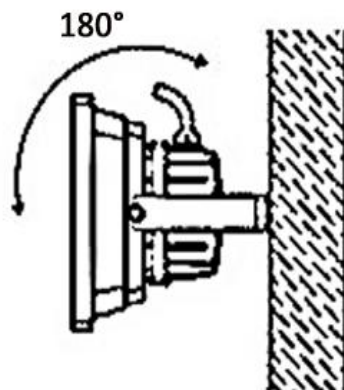
Versatile LED Flood light fixture with a 130 lumen per watt plus output is one of the most cost effective flood light/area light on the market today. Comes standard with 10w-200w comes with optional 1-10v dimmable.

Mounting Instructions

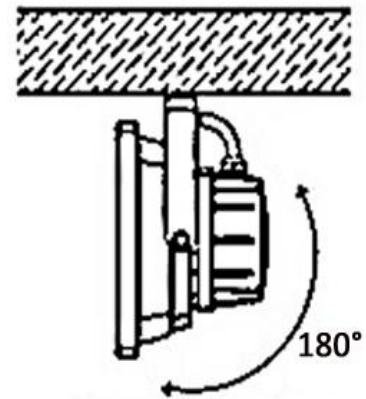
- 1, Switch off the power before installation
- 2, use U bracket + Screw fix on Ground/ Wall/ Ceiling
- 3, Loosen the Screws on both side of the bracket, adjust the fixture angle as project needed.
- 4, fix well the screws after adjusted the viewing angle
- 5, connect the wires, Black wire is L, White wire is N, Green wire is G



Ground Mount



Wall Mount



Ceiling Mount