

# FLC 150W 200W LED AREA LIGHT



- General purpose floodlight
- Integrated visor for reduced glare
- IP65 rating protects against dust and water
- Slip Filter bracket mount or "U" YOKE bracket mount
- Suitable for ground mounting
- High Lumens 140lm/w
- Photocell optional
- L70>100,000-Hours lifespan
- 5 Years Warranty



Repair or replace product Freely in warranty



DLC 5.1 Premium



ETL for USA  
cETL for CANADA



High efficiency fresnel lens up to 140m/w, Glare-Free to protect people eyes!



The Slip Filter backet is designed with rugged, locking Teeth to keep installations securely in place. No drooping!



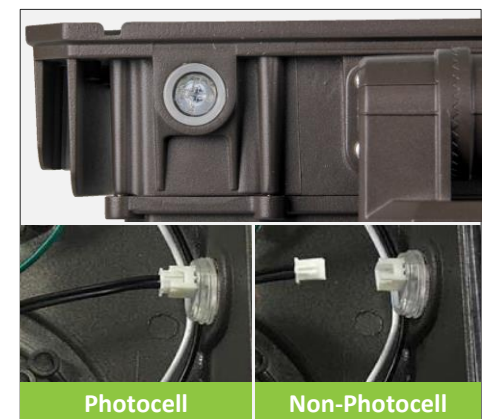
The "U" YOKE bracket mount Can for more different Installations in different place.



Have an integrated visor that reduces observable glare.



Suitable for ground mounting  
Specialized Drainage Notch For Drain away water.  
Don't worry the water will go into the lamp body!

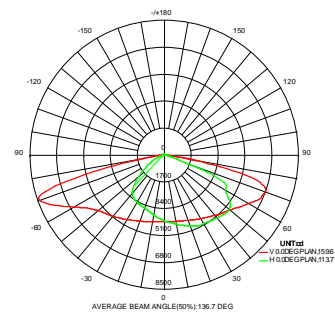


Photocell option add \$1 only  
And support to remove it easily  
**Photocell:**  
Connect the terminal  
**Non-photocell:**  
Remove the terminal

# Parameter

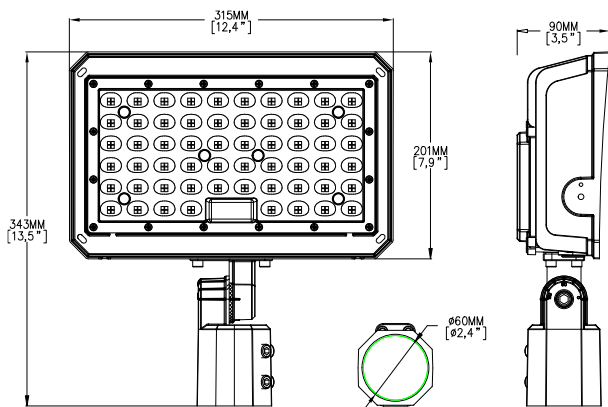
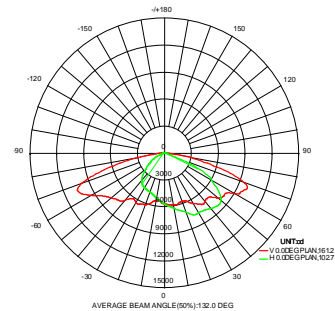
## 150W-21000lm (Replace up to 600W MH)

Color Temperature:	4000K/5000K/5700K
Input Watts:	150W
Input Voltage:	100-277/347Vac
Efficacy(lm/w):	140lm/w
Lumens output:	21000lm
Color Accuracy(CRI):	80+
Intelligent Function:	Photocell optional

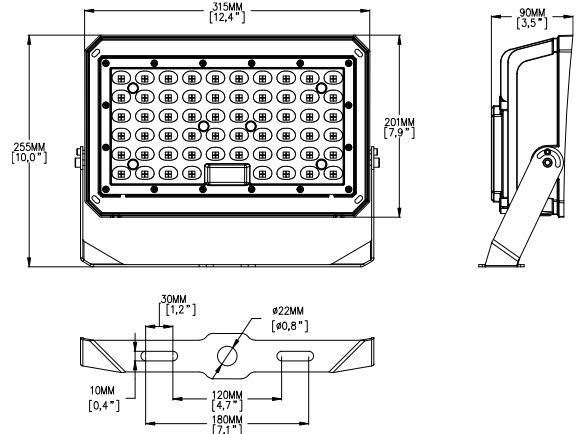


## 200W-28000lm (Replace up to 800W MH)

Color Temperature:	4000K/5000K/5700K
Input Watts:	200W
Input Voltage:	100-277/347Vac
Efficacy(lm/w):	140lm/w
Lumens output:	28000lm
Color Accuracy(CRI):	80+
Intelligent Function:	Photocell optional



Slip Filter Bracket 4.0 kg ( 8.82lbs )



“U” YOKE Bracket: 4.0kg(8.82lbs)

### Driver

Constant Current, 100-277/100-347Vac, 50-60Hz  
Power Factor>0.9, HTD<20%

### LED chips

Lumileds Brand SMD3030, Long-life, High-efficacy

### IP Rating

Ingress Protection rating of IP65 for dust and water

### Housing

Die-casting aluminum with good heat dissipation.

### Finish

Brown Color in standard, White or Black color optional.  
Formulated for high durability and long-lasting color

### Diffuser

Plastic , UV-Resistant , No yellowish worry.

### Installation

Slip filter with 180° adjustable swivel arm or  
Surface mounted “U” YOKE Bracket.

### Cold Weather Starting:

Minimum starting temperature is -40° C (-40° F)

### Maximum Ambient Temperature:

Suitable for use in 40° C (104° F) ambient  
temperatures

### Lifespan

All have minimum 50,000 hrs. LED lifespan  
@ L70>100,000hours, @L90>50,000hours based  
on LM80 test data and TM21 reported results

### Certification:

ETL, cETL, DLC 5.1 Premium, CE, Rohs

## Order Information

Sample: FLC-150W-50K-P

	-XXX	X
<b>Product Family</b>	<b>CCT</b>	<b>Function</b>
<b>FLC-150W</b> = 150W <b>FLC-200W</b> = 200W	<b>30K</b> = 3000K <b>40K</b> = 5000K <b>50K</b> = 5000K <b>57K</b> = 5700K	<b>D</b> = 1-10V Dimmable <b>P</b> = Photocell <b>S</b> = Sensor
<b>In Standard</b>	<b>Options (add as Suffix)</b>	
Brown Finish, Slip Filter Bracket 100-277Vac 140lm/w CRI>70	<b>E</b> = "U" Yoke Bracket <b>WH</b> = White color finish (MOQ>500pcs) <b>BL</b> = Black color finish (MOQ>500pcs) <b>Other customized</b>	

## Package Information

ITEM	QTY/CTN	G. W.	CTN SIZE	Means(CBM)
FLC-150W	4pcs	18kg(39.6lbs)	63x38x36cm (24.8"x15"x14.2")	0.086
FLC-200W	4pcs	18kg(39.6lbs)	63x38x36cm (24.8"x15"x14.2")	0.086

## Container Loading QTY

ITEM	20GP	40GP	40HQ
FLC-150W	1300	2600	3000
FLC-200W	1300	2600	3000