

P/N: AST-PHB02-110WRAFC1-abcd

Note:

AST= Company name

PHB02 = Product series, LED Linear High Bay Light

110W = Rating Power

R= Driver manufacturer, ARCATA

A = LED manufacturer, Hongli 2835

F = Cover type, PC lens

C1 = Version number

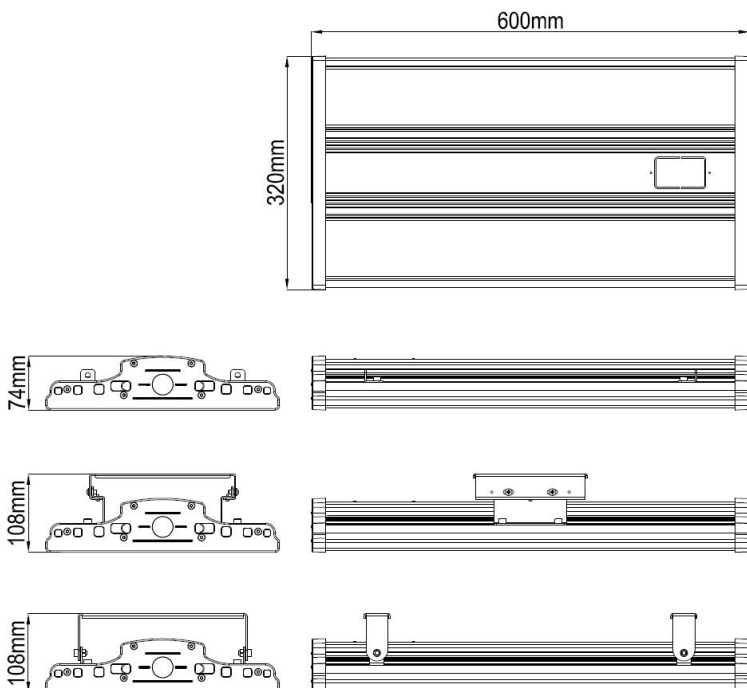
a = Housing colors, WH=White, BH=Black, SH=Silver

b= Motion sensor, M or blank

c= Wire Guard, G or blank

d= CCT,27~65,2700K~6500K.

## DIMENSIONS



## ADVANTAGE

- UL cUL certificate.
  - Input voltage 120-277VAC.
  - No UV or IR in the beam.
  - Easy to install and operate.
  - Energy saving, long lifespan.
  - Light is soft and uniform, safe to eyes.
  - Instant start, NO flickering, NO humming.
  - Green and eco-friendly without mercury.
  - Output constant current lever can be adjusted through output cable with 1-10V.
- \*The product can not be connected to a dimming device when it's equipped with Motion Sensor.

## APPLICATION

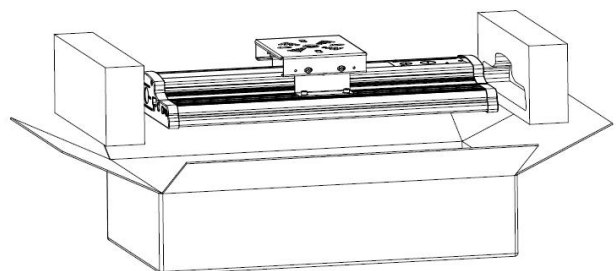
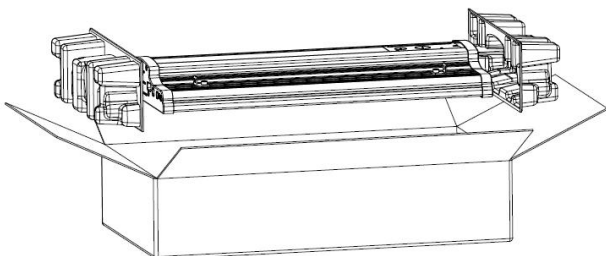
- Warehouse, factory and workshops;
- Exhibition hall and supermarkets, etc.

**SPECIFICATIONS**

<b>OPTICAL</b>	Input Power	110W
	Lumen	13500-14800 LM
	Lumen Efficacy	125-136 LM/W
	Color Temperature	2700K~6500K
	CRI	>80
	Viewing Angle	110 Degree
<b>ELECTRICAL</b>	Input Voltage	120-277VAC 50/60Hz
	PF	≥0.9
	THD	≤20%
	Driver Model	China Brand Driver
	Optional Accessory	Motion Sensor
<b>MATERIALS</b>	LED Brand	EPISTAR
	LED Type	SMD2835 (0.5W)
	LED QTY	390 PCS
	Housing	Aluminum Alloy
	Housing Color	White
	Cover	PC lens
	Waterproof Rating	DAMP (IP54)
<b>OTHERS</b>	Operating Temperature	-20℃ TO 50℃
	Operating Humidity	20%-90% RH
	Storage Temperature	-30℃ TO 80℃
	Storage Humidity	10%-95% RH
	Warranty Time	5 Years

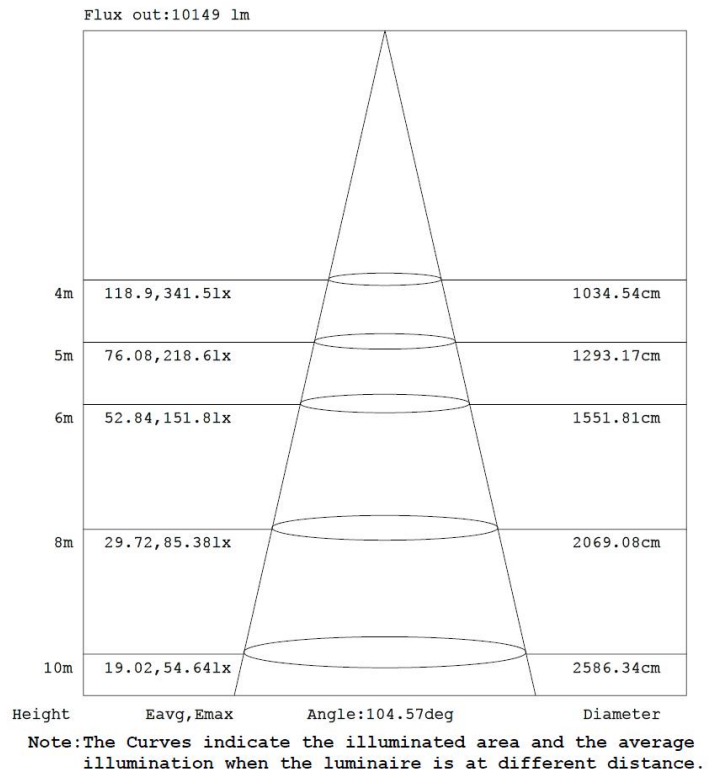
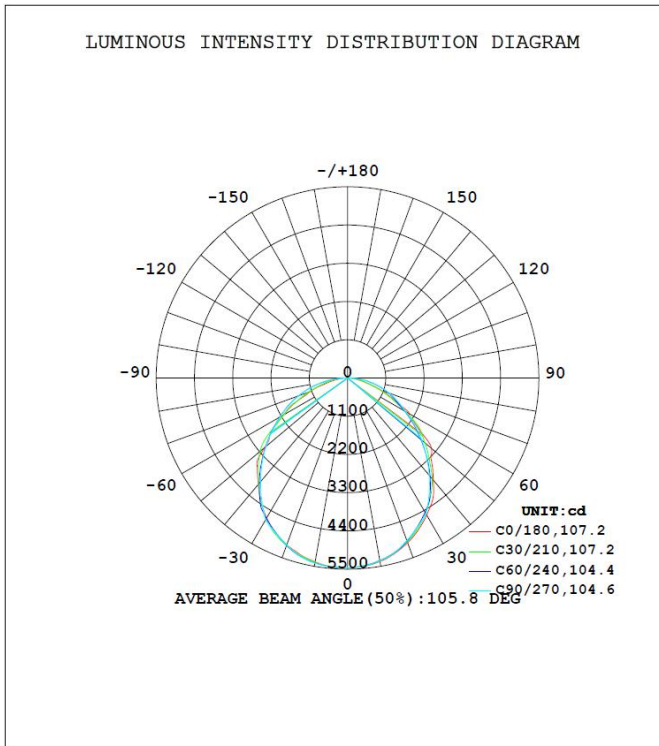
**PACKAGE**

	Size	Qty / Carton	Net Weight / Carton	Gross Weight / Carton
Outer box	650*385*145 MM	1 PC	4.1 KG	5.6 KG
Outer box Bracket installation	650*385*160 MM	1 PC	5.1 KG	6.6 KG



## LIGHT DISTRIBUTION TESTING PARAMETERS

DATA OF LAMP		PHOTOMETRIC DATA      Eff: 135.29 lm/W			
MODEL		I <sub>max</sub> (cd)	5464	S/MH (C0/180)	1.26
NOMINAL POWER (W)	110	LOR (%)	100.0	S/MH (C90/270)	1.27
RATED VOLTAGE (V)	120	TOTAL FLUX (lm)	14595	η UP, DN (C0-180)	0.0, 48.6
NOMINAL FLUX (lm)	14594.7	CIE CLASS	DIRECT	η UP, DN (C180-360)	0.0, 51.4
LAMPS INSIDE	1	η up (%)	0.0	CIBSE SHR NOM	1.25
TEST VOLTAGE (V)	120	η down (%)	100.0	CIBSE SHR MAX	1.35



## NOTICE FOR USER

- Please turn off power before install or change assembly parts.
- The input voltage and lamps should be matched, after connecting the power line, Please make sure the wiring section is insulated.
- No-professionals, must not install and disassemble the lamps.

## TROUBLE SHOOTINGS

Troubles	Check points
Flickering of the light	Turn off the power and turn on again in 3 minutes. If same phenomena occur, then call agencies.
Out of working	Please check the connection.