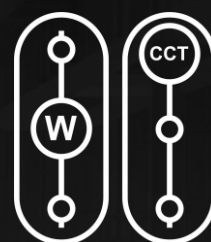
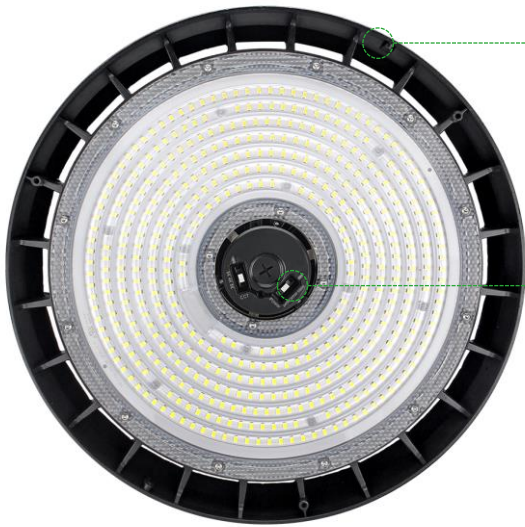


HBG2

UFO High Bay Light



Feature



High Luminous Efficacy options:
160lm/w, 200lm/w



3-Power and 3-CCT Switchable

Brand Driver options:



Surge Protection: **6KV**
Multi-Voltage: **100-277V/347V**



Plug & Play Motion Sensor

Bluetooth® Bluetooth®



PIR Remote
Control

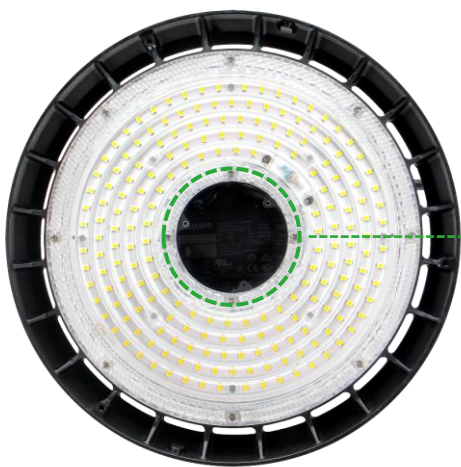


Bluetooth
APP Control



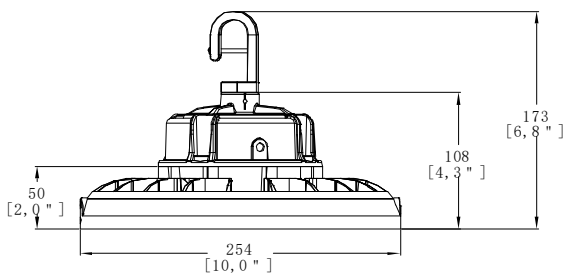
Bluetooth
Wall Dimmer

Excellent Structure Design

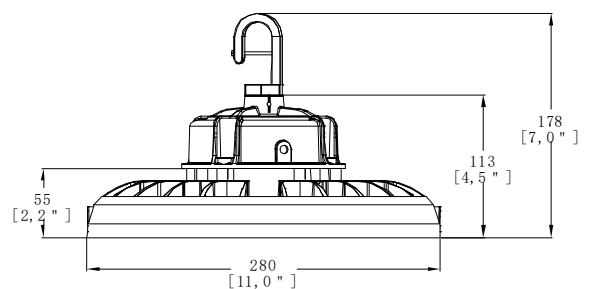


Special hollow-out design for efficient heat dissipation. Heat of the PCB will not transfer to driver directly. Lower working temperature, the driver can be more stable.

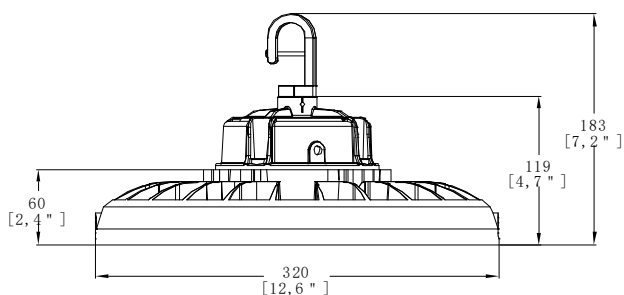
Dimension



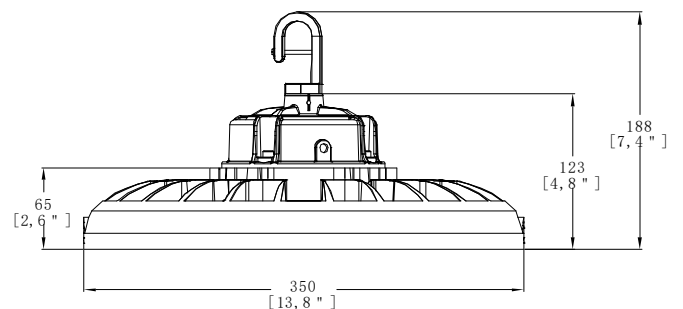
80W/100W



150W



200W



240W/300W

Lens optional

Annular lens 90° /110° (in standard)



Arch lens 120° (optional MOQ200)



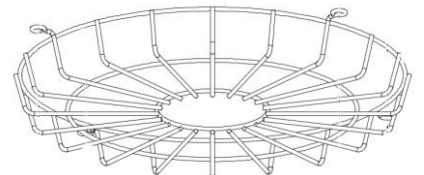
Accessories optional



PC Reflector



Mount Bracket

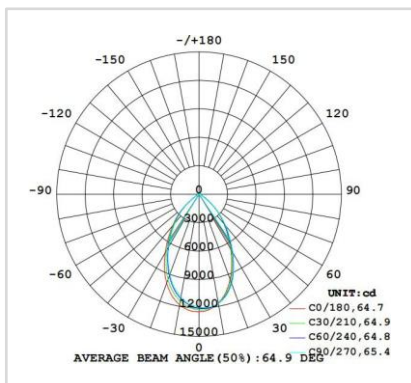


Wire Guard
(MOQ 200)

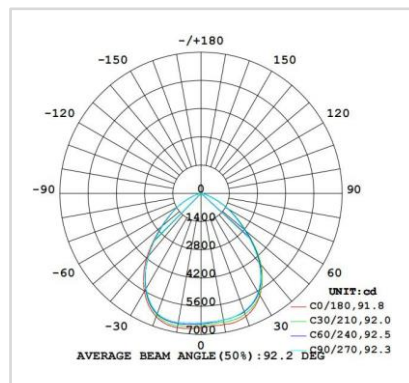
Parameter

Model No.	HB-100G	HB-150G	HB-200G	HB-240G	HB-300G
Wattage	100W	150W	200W	240W	300W
Lumens(160lm/w)	16000lm	24000lm	32000lm	38000lm	48000lm
Lumens(200lm/w)	20000lm	30000lm	40000lm	48000lm	60000lm
LEDs Type	SMD2835				
CCT	4000K, 5000K,5700K or 3-CCT Switchable				
CRI	80+ or 70+				
Beam Angle	60° , 90° ,120°				
Input Voltage	100-277V/100-347V/277-480V 50-60Hz				
Dimming	1-10V Dim / Sensor / Bluetooth optional				
Power Factor	>0.95				
IP Rating	IP65 /Wet Location				
Working Temp.	-40° C ~ 50° C (-40° F~122° F)				
Storage Temp.	-40° C ~ 70° C (-40° F~158° F)				
Finish	Black (White, Gary customized)				
Housing	Die-casting Aluminum				
Diffuser	PC Lens				
Installation	Hanging, Mounting				
Lifespan(>70)	>100,000 Hours				
Certification	ETL, cETL, DLC5.1 Premium				

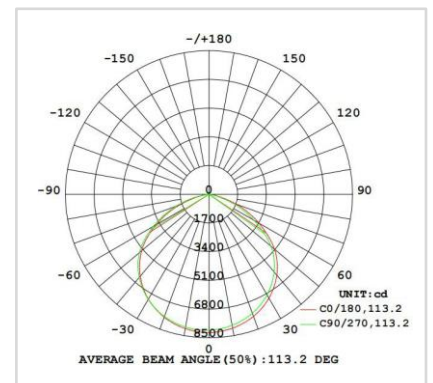
Photometric



60°



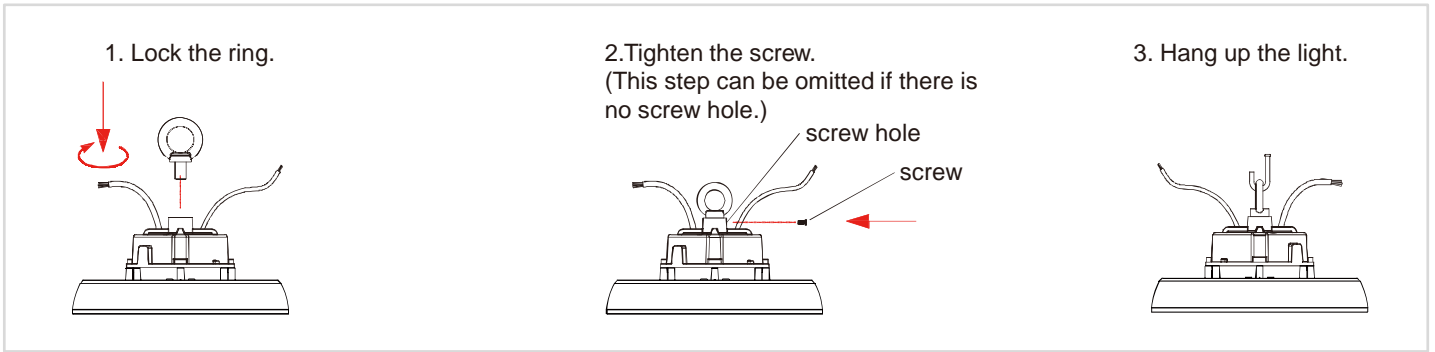
90°



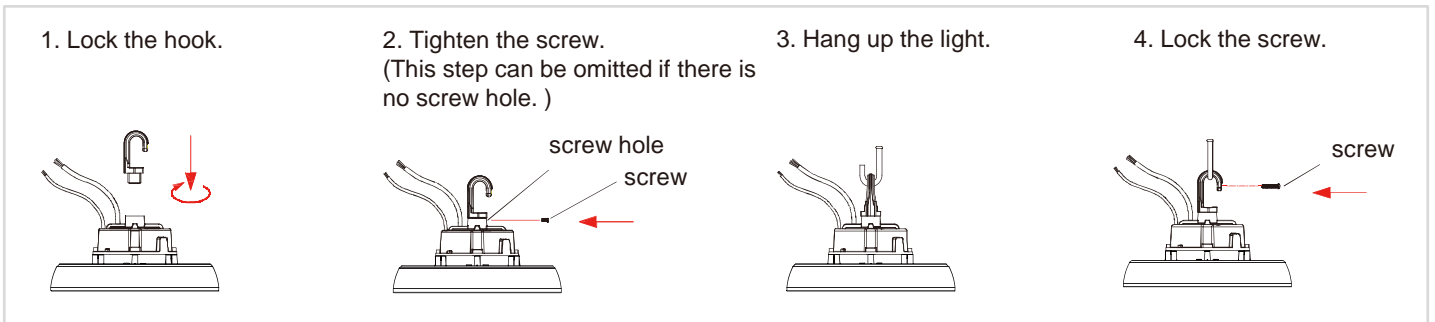
120°

Installation Instruction

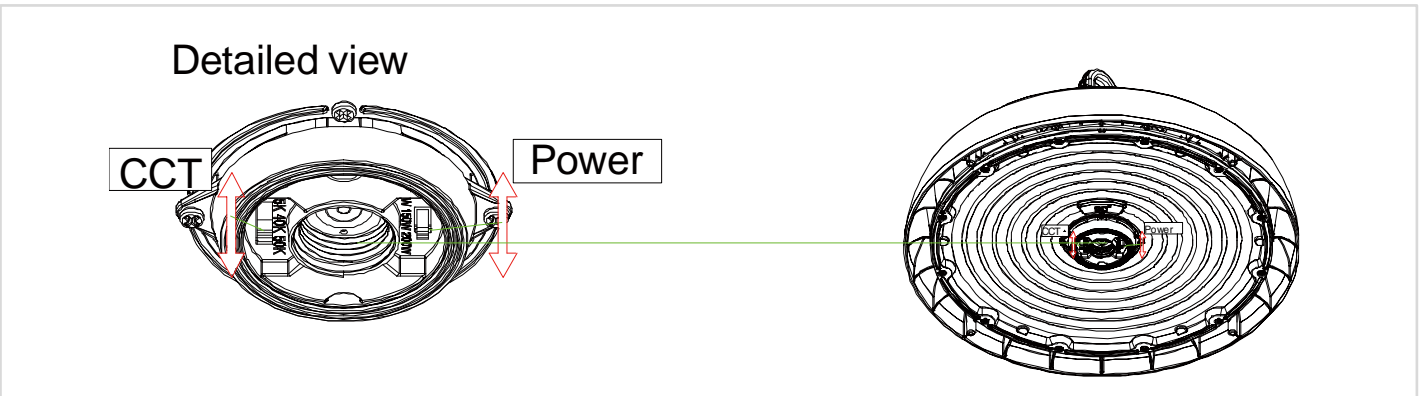
1. Ring Type



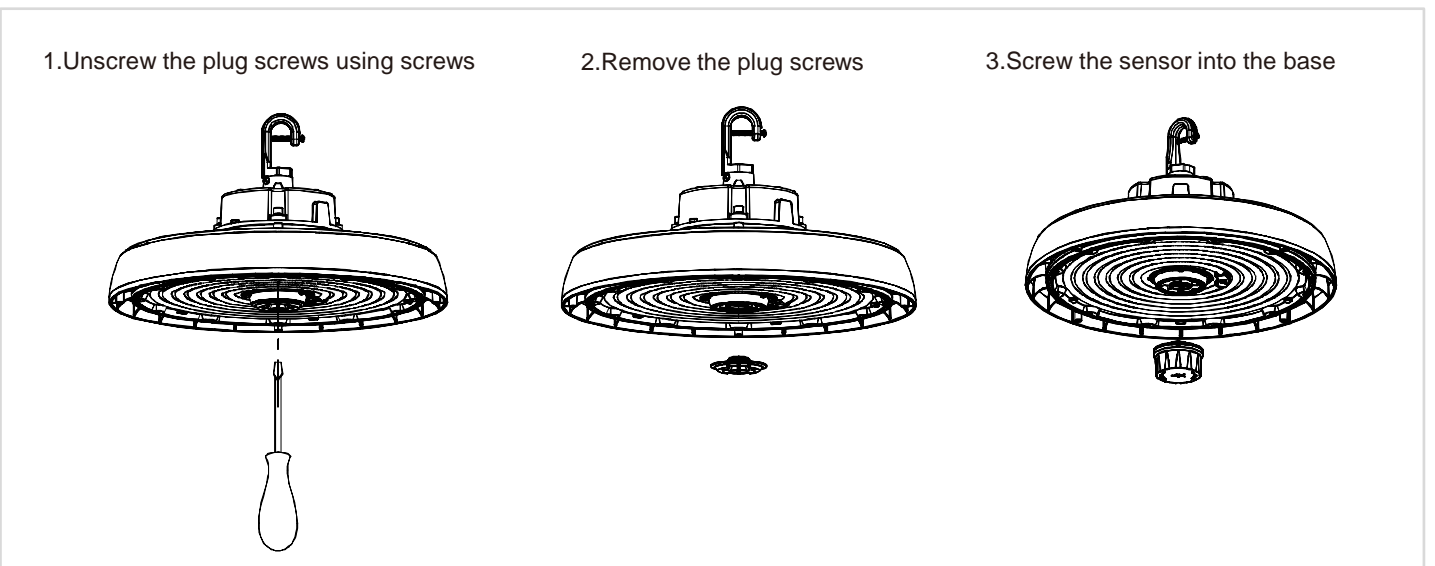
2. Hook Type



3. Power and CCT Switchable(options)



4. Sensor installation (options)



Order information

Sample: HB-150G-50K90

	xxx	XX	X
Product Family	CCT		Function
HB-100G = 100W	40K = 4000K	90= 100-277V	Blank = 1-10V Dim
HB-150G = 150W	50K = 5000K	120= 100-347V	S = Sensor
HB-200G = 200W	57K = 5700K		B = Bluetooth Mesh
HB-240G = 240W	3CK = 3-CCT		
HB-300G = 300W			

In Standard	Options (add as Suffix)	Accessories (order Separately)
Black Finish 30m/1 AC Cable 160lm/w CRI>80	200LPW = 200lm/w Other customized	MK = Mounting Bracket HB-G2-ARF = AL Reflector HB-G2-PRF = PC Reflector

Package Information

ITEM	QTY/CTN	G. W.	CTN SIZE
HB-100G	1pcs	2.0kg(4.4lbs)	27x27x14cm (0.01cbm)
HB-150G	1pcs	2.5kg(5.5lbs)	30x30x19cm (0.017cbm)
HB-200G	1pcs	3.0kg(6.6lbs)	35x35x21cm (0.026cbm)
HB-240G	1pcs	3.5kg(7.7lbs)	38.5x38.5x23cm (0.034cbm)
HB-300G	1pcs	3.5kg(7.7lbs)	38.5x38.5x23cm (0.034cbm)

Container Loading QTY

ITEM	PCS/Pallet (1.2x1x2m)	20GP (With Pallet)	40HQ (With Pallet)	20GP (No Pallet)	40HQ (No Pallet)
HB-100G				2800pcs	6800pcs
HB-150G				1647pcs	4000pcs
HB-200G				1050pcs	2600pcs
HB-240G				820pcs	2000pcs
HB-300G				820pcs	2000pcs