

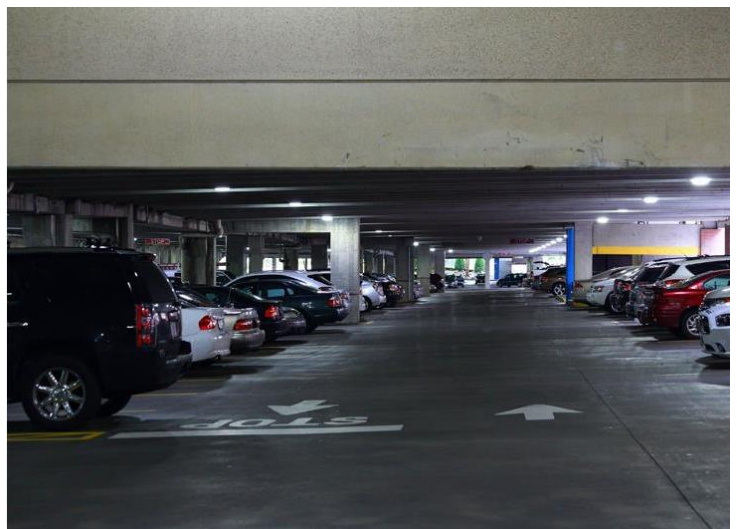
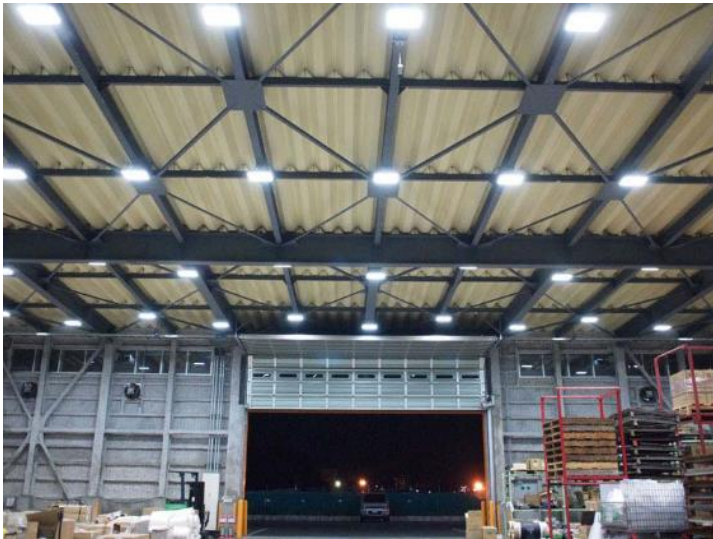
# LED Canopy



40W/50W/75W



100W/120W



- ETL, cETL DLC Listed
- High Lumens Up to 120lm/w
- IP65 Wet Location
- Built-in Sensor optional
- High Quality driver
- 5 Years warranty



ETL for USA  
cETL for CANADA



Visit [designlights.org](http://designlights.org)  
to see which models  
are DLC listed



Repair or replace  
product Freely  
in warranty



### High Lumens

High light transmittance cover. high efficient SMD LED Chips



### Shatterproof polycarbonate Lens

The high lumen output low profile design make the led canopy light ideal for building exteriors and parking garages.



### Installation Multiple Ways

Match J-BOX installation or Pole pendant installation



### High Heat Dissipation Design

Die-casting aluminum heat sink For superior thermal performance and increased longevity



### Super Bright

Luminous efficacy up to 120lm/w



### Other function optional

1-10V dimmable optional  
Motion Sensor optional  
Photocell optional

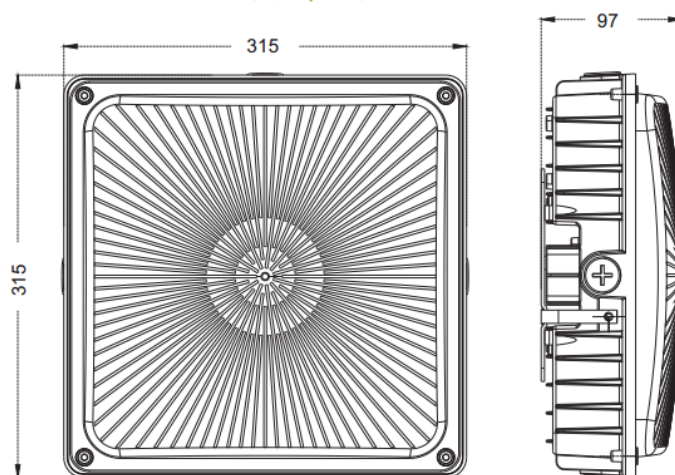
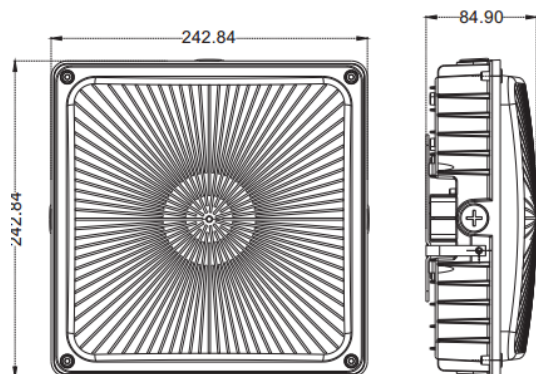
## Parameter

Model No.	CNP-40A	CNP-50A	CNP-75A	CNP-100A	CNP-120A
<b>Wattage</b>	40W	50W	75W	100W	120W
<b>Luminous Efficacy</b>	120lm/w	120lm/w	120lm/w	120lm/w	120lm/w
<b>Lumens output</b>	4800lm	6000lm	9000lm	10000;m	14400lm
<b>HID/MF Equivalent</b>	200W	250W	300W	400W	500W
<b>Fixture Weight</b>	2.3Kg(5.1lbs)	2.3Kg(5.1lbs)	2.3Kg(5.1lbs)	3.3kg(7.3lbs)	3.3kg(7.3lbs)
<b>LEDs Brand</b>	Lumileds (Philips) SMD3030				
<b>CCT</b>	3000K, 4000K, 5000K, 5700K				
<b>CRI</b>	70+				
<b>Beam Angle</b>	120°				
<b>Input Voltage</b>	100-277 50-60Hz				
<b>Dimming</b>	Non-dimmable				
<b>Power Factor</b>	>0.90				
<b>IP Rating</b>	IP65 /Wet Location				
<b>Working Temp.</b>	-40° C ~ 50° C (-40° F~122° F)				
<b>Storage Temp.</b>	-40° C ~ 70° C (-40° F~158° F)				
<b>Finish</b>	Brown				
<b>Housing</b>	Die-casting Aluminum				
<b>Diffuser</b>	PC Lens				
<b>Installation</b>	Surface Mounting, Padant Pole				
<b>Lifespan(&gt;70)</b>	>100,000 Hours				
<b>Certification</b>	ETL, cETL, DLC,				

## Dimension

40W/50W/75W

100W/120W



## Order Information

Sample: CNP-50A-50

	-XX	X
<b>Product Family</b>	<b>CCT</b>	<b>Function</b>
CNP-40A = 40W CNP-50A = 50W CNP-75A = 75W CNP-100A = 100W CNP-130A = 120W	30 = 3000K 40 = 5000K 50 = 5000K 57 = 5700K	Blank = Non-Dim D = 1-10V dimmable S = ON/OFF Sensor BS = Bi-level Sensor
<b>In Standard</b>	<b>Options (add as Suffix)</b>	<b>Accessories (order Separately)</b>
Brown Finish CRI>70 Input Voltage: 120-277Vac 50/60Hz	WH = White Finish (MOQ>1000pcs) BL = Black Finish (MOQ>1000pcs) Other customized	BK = Easy Mounting Bracket

## Package Information

ITEM	QTY/CTN	G. W.	CTN SIZE
40W/50W/75W	4pcs	11.2kg(24.7lb)	40x28x28cm (15.7"x11.0"x11.0") (0.032cbm)
100W/120W	4pcs	15.0kg(33lb)	45x35x35cm (17.7"x13.8"x13.8") (0.056cbm)

## Container Loading QTY

ITEM	20GP	40GP	40HQ
40W/50W/75W	3500pcs	7200pcs	8000pcs
100W/120W	2000pcs	4000pcs	4500pcs