

WP-13AS

LED Wall Pack 13W 1310lm

Features

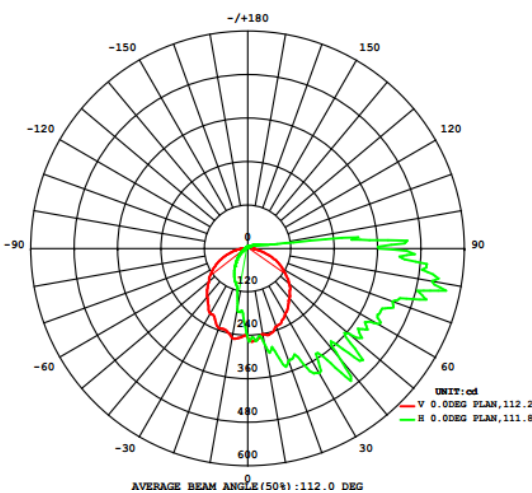
- DLC Listed.
- ETL cETL Listed.
- 5 Years Warranty

Parameter

Model No.:	WP-13AS
Power Consumption:	13W
Input Voltage:	100-277Vac 50/60Hz
LED Type	SMD3030
Lumens Output:	110lm/w
CRI	80+
Color Temperature:	3000K, 4000K, 5000K, 5700K
Beam Angle:	100°
Power Factor:	>0.90
IP Rating	IP65 / Wet location
Working Temp.:	-20° C ~ 50° C
Storage Temp.:	-40° C ~ 70° C
Finish:	Brown
Housing:	Die-casting Aluminum
Diffuser:	Plastic
Installation:	Surface mounted with J-BOX
Fixture Weight:	0.44kg(1.0lb)
Lifespan(L70):	>80,000 Hours



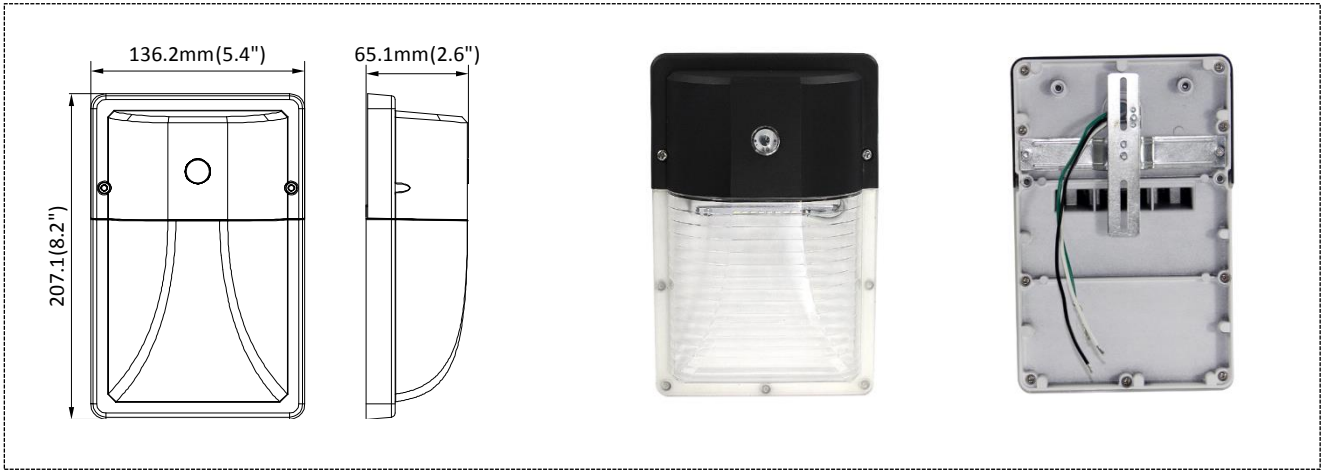
Photometric



Lux Charts

	Evag, Emax	Diameter
1.2m	55lx, 210lx	360cm
2m	21lx, 78lx	591cm
3m	9lx, 35lx	886cm
4m	5lx, 20lx	1182cm

Dimension & Picture



Ordering Information

Model No.	Power	Voltage	CCT	Lumens	Photocell
WP-13AS(4000K)	12.5W	100-277Vac	4000K	1310lm	\
WP-13AS(5000K)	12.5W	100-277Vac	5000K	1310lm	\
WP-13AS(5700K)	12.5W	100-277Vac	5700K	1310lm	\
WP-13AS(4000K)(PC)	12.5W	100-277Vac	4000K	1310lm	Yes
WP-13AS(5000K)(PC)	12.5W	100-277Vac	5000K	1310lm	Yes
WP-13AS(5700K)(PC)	12.5W	100-277Vac	5700K	1310lm	Yes

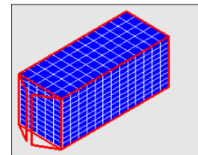
- Finish: Black (other Finish, please call us for quotation)
- Other color temperature 3000K-5700K optional, please call us for checking lead time.

Packaging

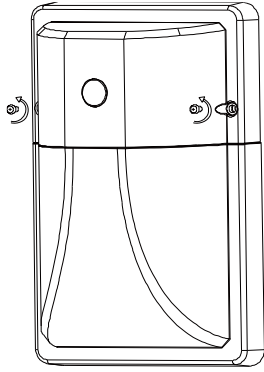
Item	Q'ty/CTN	G. W.	CTN Size
WP-13AS-XX	20pcs	11	70x31x23cm(27.6'x8.3'x9.1')

Container Loading QTY

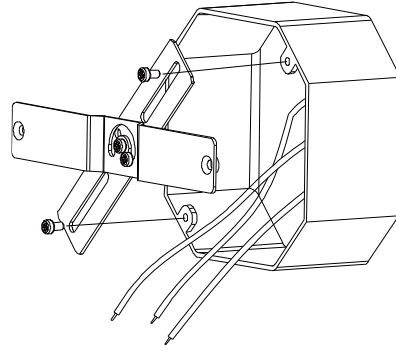
Item	20'GP	40'GP	40'HQ
WP-13AS-XX	11200	23200	27200



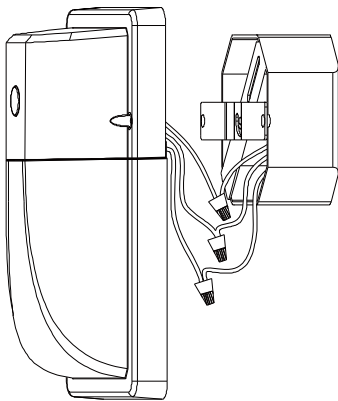
Installation



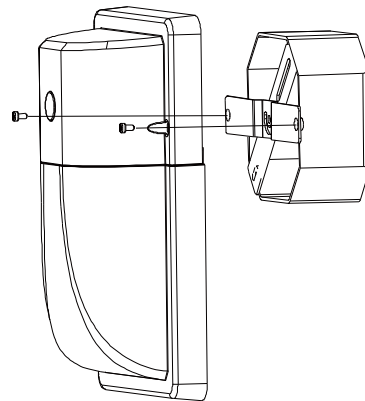
1. Lose the cross screw



1. Installation back plate to junction box



1. Connect Wires



1. Fasten the fixture with screws