



LED WALL PACK

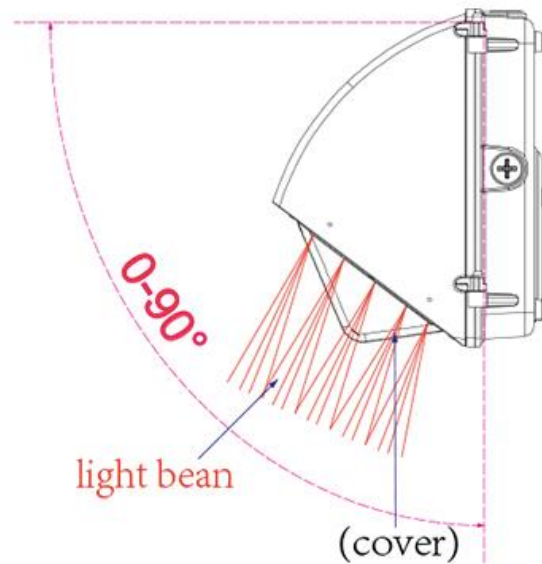
DLC PREMIUM

passed PREMIUM DLC

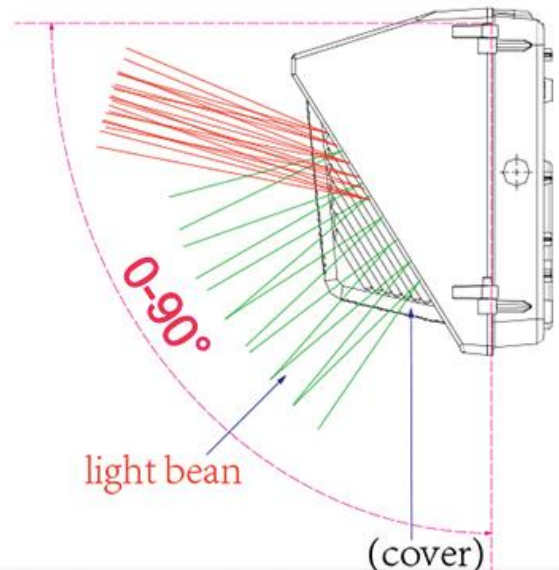
Other vendors' Wall Pack could not even pass standard DLC

Pass DLC Premium

Not Pass DLC Premium



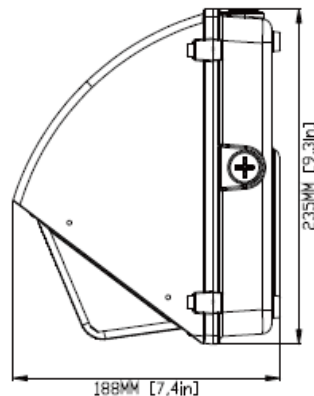
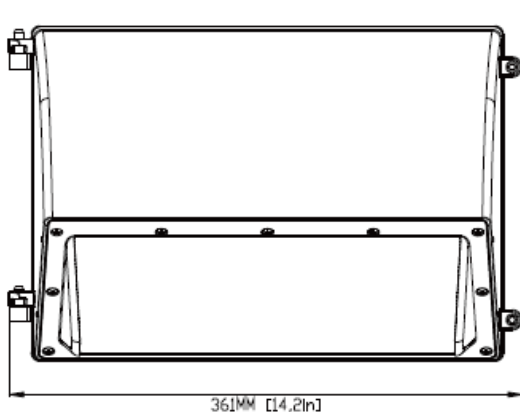
VS



■ Parameter

Model No.	CWLP-42B2	CWLP-60B2	CWLP-80B2	CWLP-100B2	CWLP-120B2
Wattage	42W	60W	80W	100W	120W
Luminous Efficacy	130lm/w	130lm/w	130lm/w	130lm/w	130lm/w
Lumens output	5460lm	7800lm	10400lm	13000lm	15600lm
HID/MF Equivalent	200W	300W	400W	400W	600W
Fixture Weight	3.2Kg(7.0lb)	3.2Kg(7.0lb)	3.5Kg(7.7lb)	3.9Kg(8.6lb)	3.9Kg(8.6lb)
LEDs Brand	Lumileds (Philips) SMD3030				
CCT	3000K, 4000K, 5000K,5700K				
CRI	70+ or 80+				
Beam Angle	120°				
Input Voltage	100-277Vac or 100-347V 50/60Hz				
Function	Photocell, Motion Sensor, Emergency optional				
Power Factor	>0.95				
IP Rating	IP65 /Wet Location				
Working Temp.	-30°C ~ 50°C				
Storage Temp.	-40°C ~ 70°C				
Finish	Dark Bronze				
Housing	Die-casting Aluminum				
Diffuser	PC Cover				
Installation	Mounting				
Lifespan(L70)	>100,000 Hours				
Certification	ETL, cETL, DLC Premium				

■ Dimension



■ Order Information

Sample: CWLP-60B2-277-50K-P

Product Family CWLP-42B2 = 42W CWLP-60B2 = 60W CWLP-80B2 = 80W CWLP-100B2 = 100W CWLP-120B2 = 120W	-XXX Voltage 277 = 100-277Vac 347 = 100-347Vac	-XXX CCT 30K = 3000K 40K = 5000K 50K = 5000K 57K = 5700K	-X Function N = Non-dimming P = Photocell M = Motion Sensor
In Standard Dark Bronze Finish 130lm/w CRI>70	Options (add as Suffix) EM = Emergency Other customized		

■ Package Information

ITEM	QTY/CTN	G. W.	CTN SIZE	Means(CBM)
CWLP-42B2	1pcs	3.5kg(7.7lb)	39x27x24.5cm (99"x68.6"x62.3")	0.026
CWLP-60B2	1pcs	3.5kg(7.7lb)	39x27x24.5cm (99"x68.6"x62.3")	0.026
CWLP-80B2	1pcs	3.8kg(8.4lb)	39x27x24.5cm (99"x68.6"x62.3")	0.026
CWLP-100B2	1pcs	4.1kg(9.0lb)	39x27x24.5cm (99"x68.6"x62.3")	0.026
CWLP-120B2	1pcs	4.4kg(9.7lb)	39x27x24.5cm (99"x68.6"x62.3")	0.026

CANADIAN WHOLESALE LIGHTING

5-1525 DILWORTH DR. KELOWNA BC V1Y9N5 PH. 866 628 4278