

BT.ED.ADV^{SR}

– BLIT panel with 3 powers and 3 CCT dipswitch



Description

The back-lit technology makes the life no longer limited to the LGP. Significantly reduce subsequent maintenance costs, and price is competitive.

It provides high uniformity, excellent efficiency and reduced glare in T-grid ceiling applications.

Features

- * Back light panel with pmma lens with 10 years life.
- * Warranty: 5 years
- * Input Voltage: 100-277Vac | 1-10V dimmable | PF>0.9 | THD<20%
- * High efficiency, up to 135lm/W RA:80
- * 45mm thickness, driver on the side frame
- * 50,000hrs life design for driver and LED
- * 3500K - 4000K - 5000K CCT dipswitch on the driver
- * 30w-25w-20w(2X2) and 40w-35w-30w(2X4) -dipswitch on the driver

Application

- Office
- Retail
- Workshop
- * School

Model List

Model	Size (ft)	Power (w)	LPW (lm/w)	Brightness(lm)		LED Q'ty	LED Class	Package CTN			Q'ty		
				CW/NW	WW			Ctn Size(mm)	G.W kg	N.W kg	CTN	40HQ	
BT.EDC.ADV.2X2 30W.130LPW	2X2	30	125\20	130	3900	3588	96	P195.50K	645x210x645	9.84	8.64	4	3216
BT.EDC.ADV.2X4 40W.130LPW	2X4	40	135\30	130	5200	4784	144	P195.50K	1255x210x645	18.65	17.00	4	1632

Specification

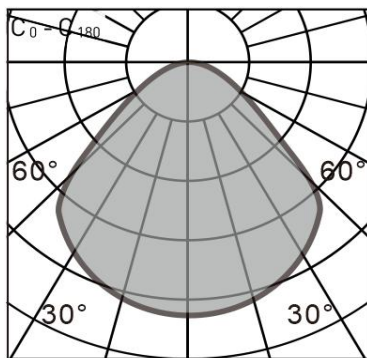
Optical Parameters

CCT	2700K-5000K
CRI	80
SDCM	6
UGR	22
Beam angle	120°
Lamp Color RAL	White (RAL 9003)
	Lens: PMMA
Material	Frame: aluminum
	Back cover housing: White painted iron plate

Electrical Parameters

Dimming	1-10V 10%-100% 3 power in one with dipswitch
Input voltage	100-277Vac 50/60Hz
PF	0.95
PE	0.86
Over load/short Circuit	Protection
Driver Connection	Fixed on edge of panel
Hi-pot Test Range	SELV Isolated Driver, 3750Vdc/5mA/60S

Polar Curves Wide Distribution



Remarks:

1. The brightness in this table is based on the brightness at the highest power.
2. The lower the power, the higher the lumen efficiency(LPW),

Life

Warranty	5 years
L70B50	50,000 hours
L80B50	30,000 hours
L90B50	15,000 hours
Driver failure rate	0.3% per 5000 hours
maintenance	Optical module sealed for life; no internal cleaning required

Installation Information

Average ambient temperature	Average ambient : +25 °c Operating temperature range: 0 to +40 °C
Ceiling type	Exposed T-bar ceiling
Light source	Non-replaceable LED module
IP	Total lamp IP40
IK	IK02
Remarks	


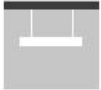

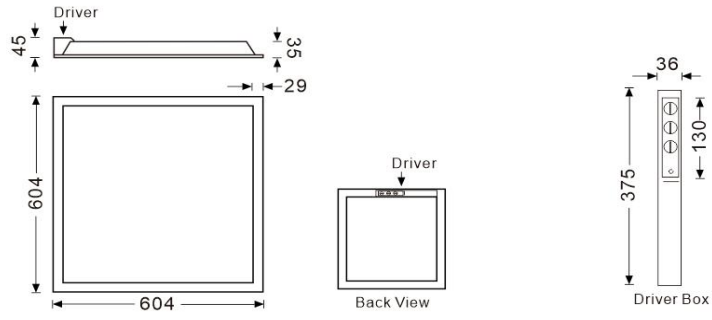
	Recessed Grid Ceiling Manual: 93701
Default	
	Wire Suspended Manual: 93705 PJB.DJ002-2 (size 2x2 1x4) PJB.DJ002-3 (size 2x4)
Accessory	
	Surface Mounted Frame Manual: 93704 PJB.XDK2.M.2X2(size 2x2) PJB.XDK2.M.1X4(size 1x4) PJB.XDK2.M.2X4(size 2x4)
Accessory	

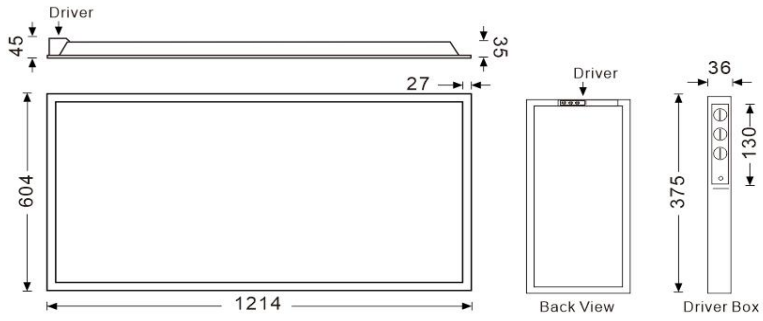
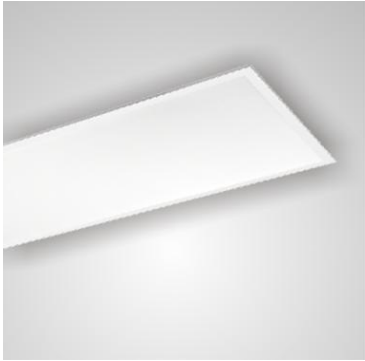
Photo | Dimension

unit: mm

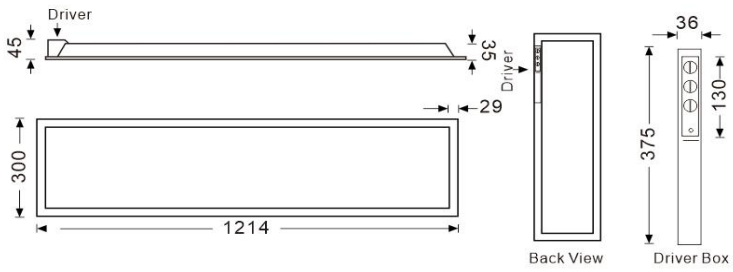
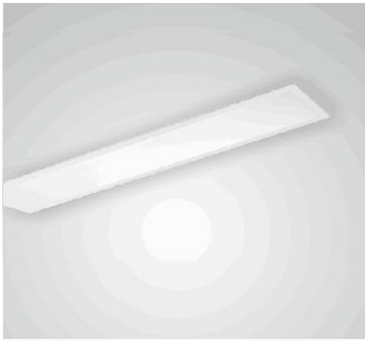
Size: 2x2



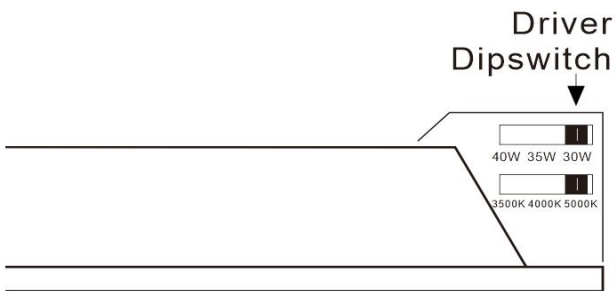
Size: 2x4



Size: 1x4



Dipswitch In Driver



Product Details



Top of luminaire

Top of luminaire



DipSwitch



Lighting of luminaire



Material



Back of luminaire



Back of luminaire

Back of luminaire

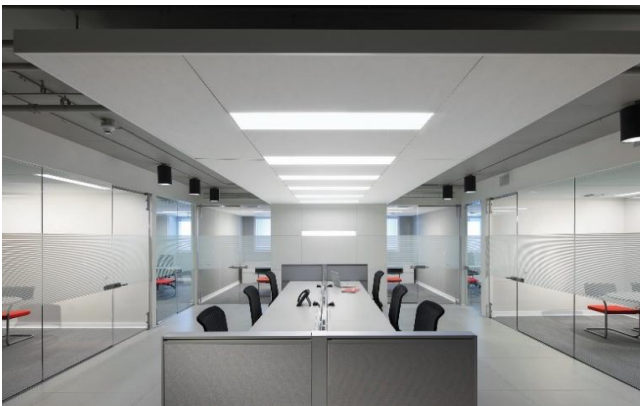


Frame



Grid ceiling installation

Application



. LED PANEL LIGHTING CO., LTD. All rights reserved. LED Lighting reserves the right to make changes in specifications and/or to discontinue any product at any time without notice or obligation and will not be liable for any consequences resulting from the use of this publication.