

EL-7030B

Double LED Remote Head (Universal Voltage)



FEATURES	
Power (W)	3 W
Lamp Type	LED
Input Voltage	3.6-24 VDC
LED Type	SMD LED



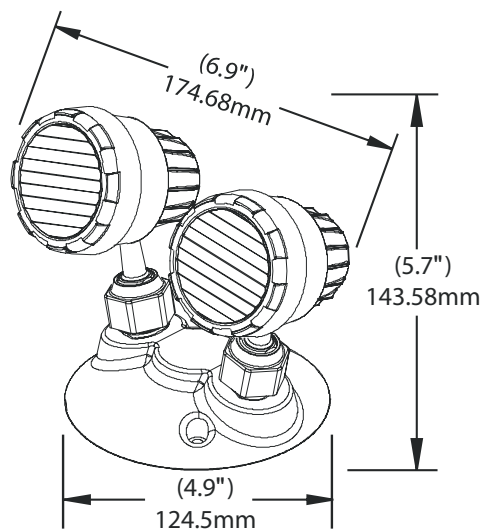
DESCRIPTION

- Injection-molded thermoplastic ABS housing
- UL-94V-0 flame rating, fire-retardant
- Wall and ceiling mounting
- Universal voltage LED remote compatible with any emergency lighting system (3.6-24VDC)
- Super bright SMD LED 2x2W
- IP Class: IP20
- Insulation: II, Range: 80m2 / 860sq.ft
- Operating Temperature: 0 °C ~ 40 °C / 32 °F ~104 °F

SUITABLE FOR

- ELRM-180-2RC
- ELRM-180-18RCS
- EL-180-18RCS
- EL-7006-RC
- EL-7061S
- EL-7062S

TECHNICAL DRAWING



WEATHERPROOF AVAILABLE JANUARY 2021