



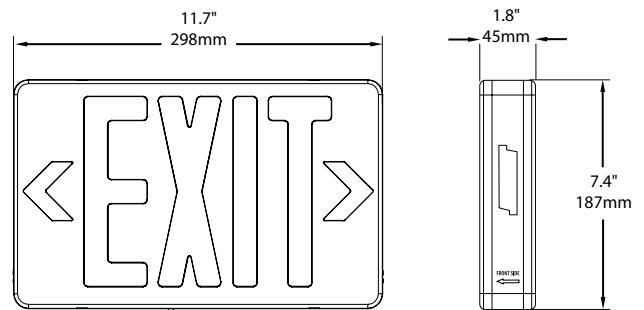
Features

Input Power on AC (when charging)	5.1 - 5.7W
Input Power on AC (when fully charged)	1W
Output Power on Battery	1W
Lamp Type	Plug-in LED strip
Input Voltage	120/220-277 VAC
Frequency	50/60 Hz
Battery Type	Ni-cd
Working Time	180 Minutes
Charging Time	24 Hours

Description

- Injection-molded thermoplastic ABS housing
- UL-94V-0 flame rating, fire-retardant
- 2-Sided sign
- Wall, side and ceiling mountable
- Input Voltage: 120/220-277VAC, 50/60Hz
- Super bright LED plug-in strip with color connector for RED or GREEN backlit lighting. See manual for connecting details.
- Nickel Cadmium Battery, 1.2V 600mAh
- Test switch and charge indicator light
- Overcharge & Over-discharge protection
- Backup time: 180 minutes
- Conversion time: < 0.2 second
- IP Class: IP20
- Operating Temperature: 5 °C ~ 35 °C / 41 °F ~ 95 °F
- Removable Chevrons
- EMC/FCC approved
- Comes with 2 faceplates and 1 backplate
- Also available with GREEN plastic inserts

Technical Drawing



Ordering Information

Model	Description
EL-7007RX/GX-180	LED Emergency Exit Sign (120/220-227 VAC) with 180 Minute Battery Backup

Canada
 25 Interchange Way Vaughan, ON L4K 5W3
 Telephone: (905) 660-4655 | Fax: (905) 660-4113

U.S.A.
 4575 Witmer Industrial Estates Niagara Falls, NY 14305
 Toll Free: (888) 660-4655 | Fax Toll Free: (888) 660-4113



THIS INFORMATION IS FOR MARKETING PURPOSES ONLY AND NOT INTENDED TO DESCRIBE THE PRODUCTS TECHNICALLY.

For complete and accurate technical information relating to performance, installation, testing and certification, refer to technical literature. This document contains intellectual property of Mircom. The information is subject to change by Mircom without notice. Mircom does not represent or warrant correctness or completeness. All rights reserved. All other trademarks and registered trademarks are properties of their respective owners.