

NAME: LED Corn Light P/

N: CWL-CLW-150WB1

Advantage

- UL, CUL, DLC certificate
- E39 lamp base
- 360 degree lighting, high CRI.
- IP64 Waterproof Rating
- Big heat sink, double SUNON fans.
- Internal driver, input voltage AC100-277V.
- New style and high efficient wide-range input.
- Long lifespan and good heat dissipation.
- Direct replacement for Metal Halide, Easy Installation.
- Fits many different fixtures to replace traditional lamps.

Application

Replacement Lamps for Outdoor Pole/Arm-mounted Decorative Luminaires (Type B).

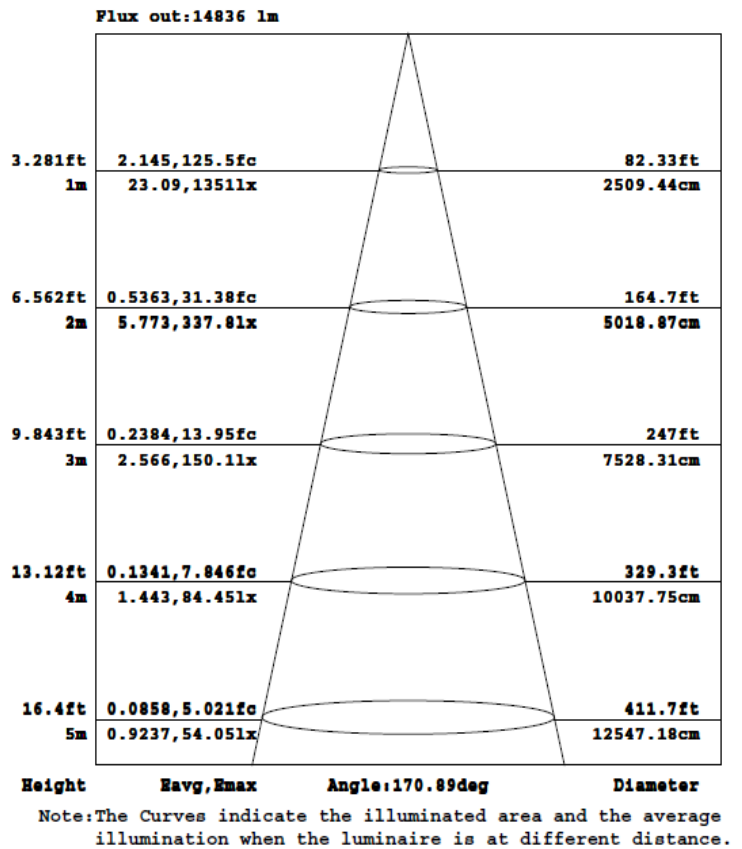
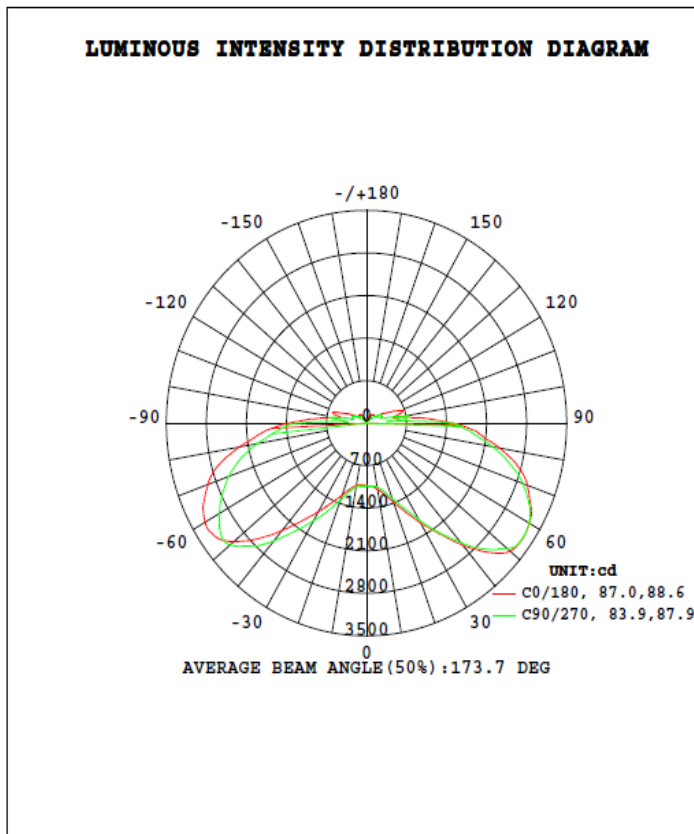
TECHNICAL DATA SHEET

PRODUCT SPECIFICATIONS	
Product name	LED Corn Light
Light Type	Corn Light
Part No	CWL-CLW-150WB1
Dimension	Φ125*335 MM
Technical Characteristic	
Cover	Clear
Color temperature	4000K、4500K、5000K、5700K
CRI	> 80
Lumen-In Luminaires	16500-17400 LM
Lumen Efficacy-In Luminaires	110-116 LM/W
Input Power	150 W
Viewing Angle	360 degree
Input Voltage	AC100-277V 50/60Hz
PFC	>0.9
Equivalent	400W MHL/HPS/HID
Waterproof Rating	IP64
MATERIALS	
LED Type	SMD2835
LED QTY	1064 PCS
Housing	PC+AL
Housing color	White+Grey
OTHERS	
Operating Temperature	-20°C TO 45°C
Operating Humidity	20%-70% RH
Storage Temperature	-30°C TO 80°C
Storage Humidity	10%-75% RH
Application	Indoor/Outdoor
Safety Certification	UL、CUL、DLC
Warranty Time	5 Years

TECHNICAL DATA SHEET

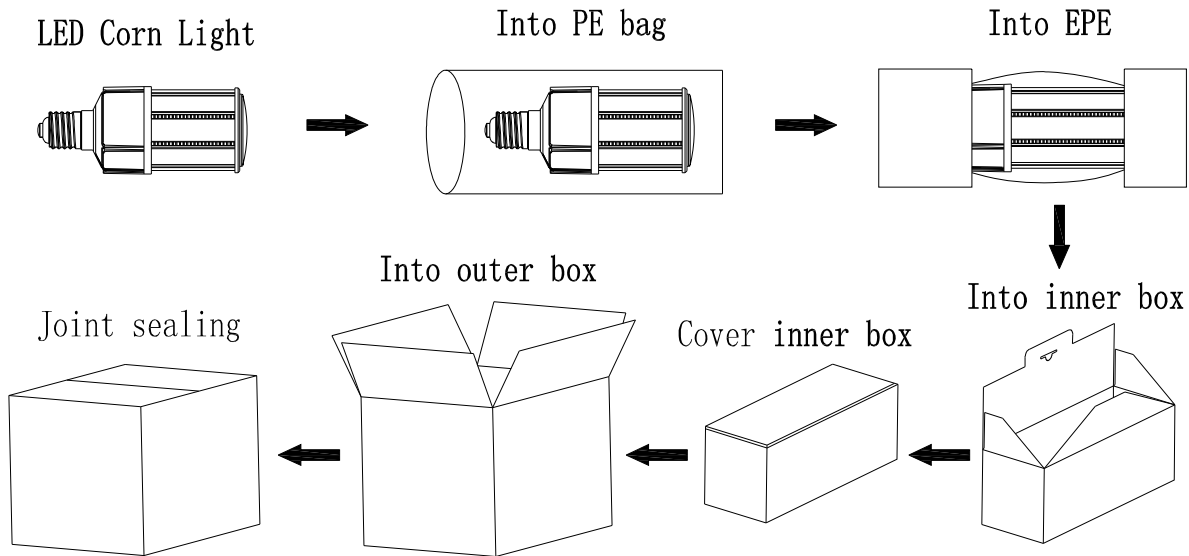
Remark: The testing data comes from the product in luminaires.

DATA OF LAMP		PHOTOMETRIC DATA Eff: 119.11 lm/W			
MODEL		I _{max} (cd)	3729	S/MH (C0/180)	2.95
NOMINAL POWER (W)	150	LOR (%)	100.0	S/MH (C90/270)	2.82
RATED VOLTAGE (V)	120	TOTAL FLUX (lm)	17593	η UP, DN (C0-180)	6.0, 45.0
NOMINAL FLUX (lm)	17592.6	CIE CLASS	SEMI-D.	η UP, DN (C180-360)	5.7, 43.3
LAMPS INSIDE	1	η up (%)	11.7	CIBSE SHR NOM	2.00
TEST VOLTAGE (V)	120.0	η down (%)	88.3	CIBSE SHR MAX	0.00



TECHNICAL DATA SHEET

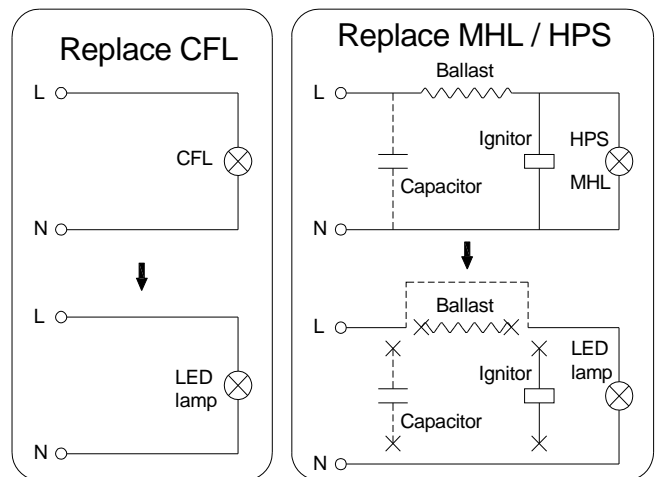
Package



	Size	Qty/ Carton	Net Weight/ Carton	Gross Weight/ Carton
Inner box	365*150*150 MM	1 PC	1.34 KG	1.54 KG
Outer box	465*315*385 MM	6 PCS	8.0 KG	10.2 KG

Notice For User

- Please turn off power before install or change assembly parts.
- The input voltage and lamps should be matched, after connecting the power line, please make sure the wiring section is insulated.
- Make sure to remove or bypass the ballast in the fixtures before install the lamps.
- Suitable for damp locations. Do not use with dimmers.
- Suitable for use in enclosed luminaires, min. lamp compartment dimensions: 470*270*270MM.
- No-professionals, must not install and disassemble the lamps.



Trouble Shootings

Troubles	Check points
Flickering of the lamps	Turn off the power and turn on again in 3 minutes. If same phenomena occur, then call agencies
Out of working	Please check the connection