



GLOBAL LIGHTING AND ELECTRICAL DESIGN

Patent No.: 201730488627.0

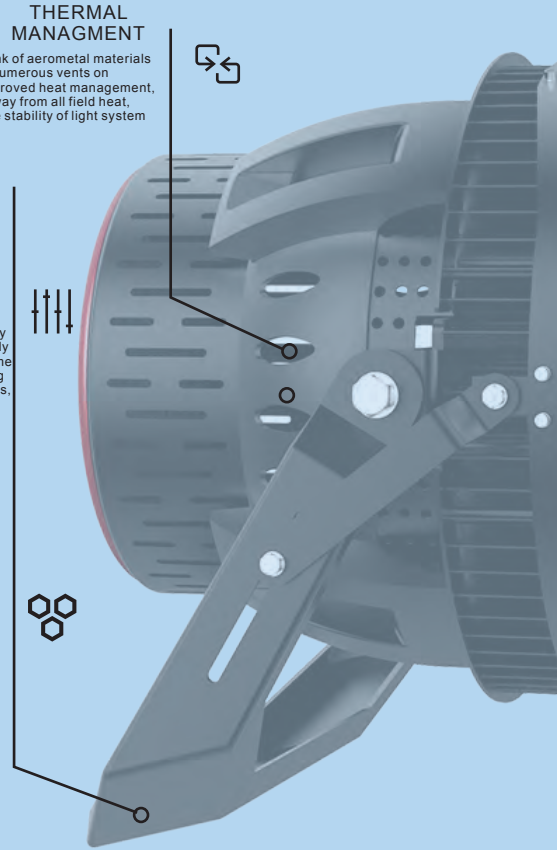
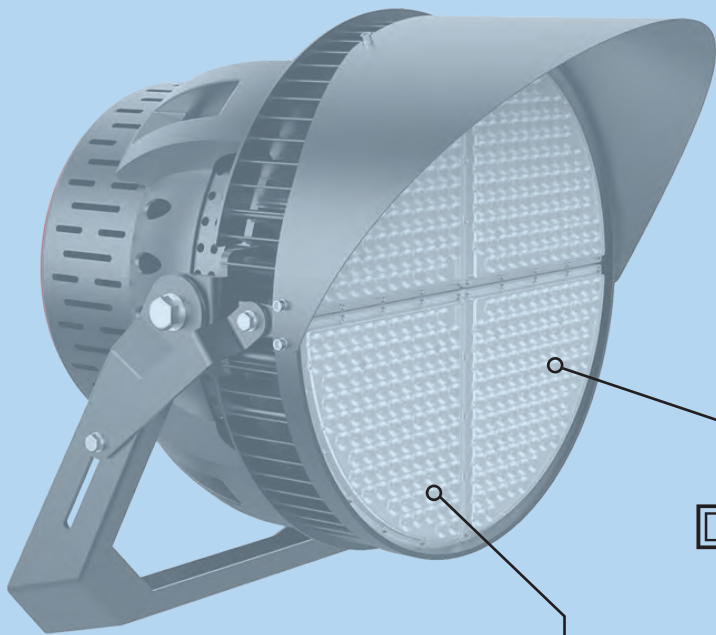


**1200W**

US, Europe patent approved

# TECHNOLOGY CHANGES PERFORMANCE

## INNOVATION ILLUMINATES THE FUTURE



### THERMAL MANAGEMENT

Seamless link of aerometal materials and numerous vents on heat sink improved heat management, keeps away from all field heat, ensures the stability of light system



### CONTROL SYSTEM

Optimized for live broadcast system by wireless data transmission makes easily on color tuning and dim options, Real time monitoring are available on the working status and performance of every fixtures, recognize potential problems.



### EASY OF INSTALLATION

Adjustable beam angle, up to 240°



### OPTICS

Product engineered by adopt seamless link of advanced Free-form optics and structure design, Optics designed with unique "multi scales lenses" to make uniform light distribution and glare-reducing. Advanced material makes maximization on light transmittance



### SOLID STATE DESIGN

Unique "SSD" design, simply & Advance, No components are non-removable, ensures durability of led chip. All parts are individual, rugged and strong



### SMALL ELECTRON GREAT POWER

Adoption advanced technology, photoelectric conversion in most efficient method, energy saving, and producing more lights out



### NO ELECTRICAL INTERFERENCE

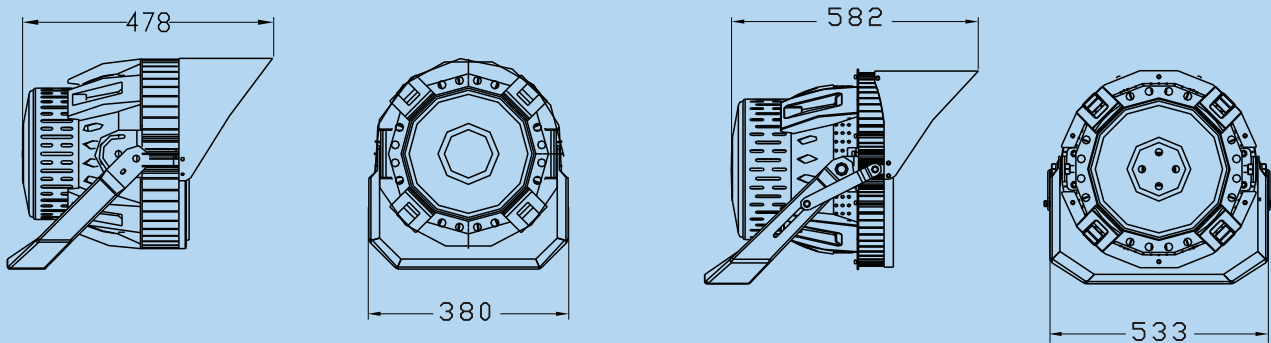
State-of-the art circuit system woking perfect with other systems, Ultra-low EMI noise generation eliminating electrical interference



## TECHNICAL PARAMETERS:

Model	GL-SP300WVCT-AXX	GL-SP400WVCT-AXX	GL-SP500WVCT-AXX	GL-SP600WVCT-AXX	GL-SP750WVCT-AXX	GL-SP1000WVCT-AXX	GL-SP1200WVCT-AXX
Lumen Output	39000Lm	52000Lm	65000Lm	78000Lm	97500Lm	130000Lm	156000Lm
CCT	3000K/4000K/5000K/5700K/6500K						
CRI	> 70Ra						
Light source	Osram,Cree						
System Watts	300W	400W	500W	600W	750W	1000W	1200W
Dimensions(mm)	φ360mm*215mm	φ360*215/533*582 (Optional)	φ360*215/533*582 (Optional)	533*582	533*582	533*582	533*582
Input Voltage	100-277V/240-480V						
Power Factor	0.95						
THD	<15%						
Input Protectin	10KV Current Surge						
Driver	Meanwell						
Operating Temp Range	-40°C TO +55°C						
IP Rating	Ip66						
Dimming control (Optional)	1-10V.DMX.DALL						
light Distribution Options	15°*15°,25°*25°,40°*40°,60°*60°						
Cetification	ETL\ENEC\CE\DLC\SAA						

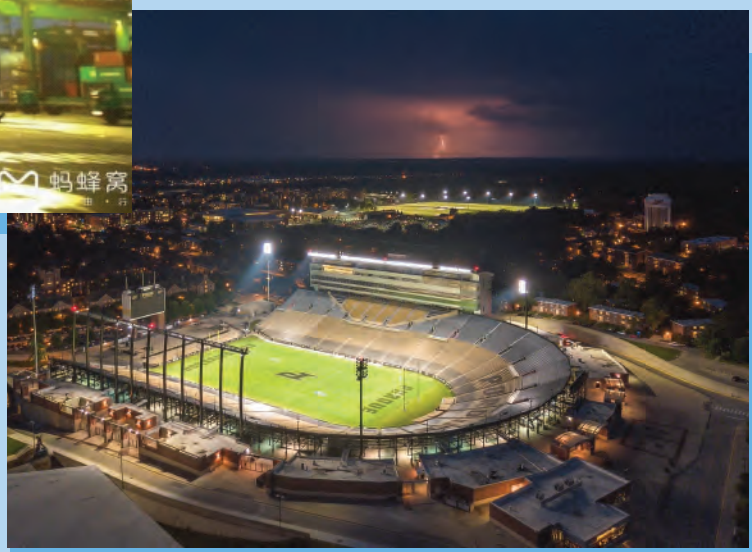
## DIMENSION:



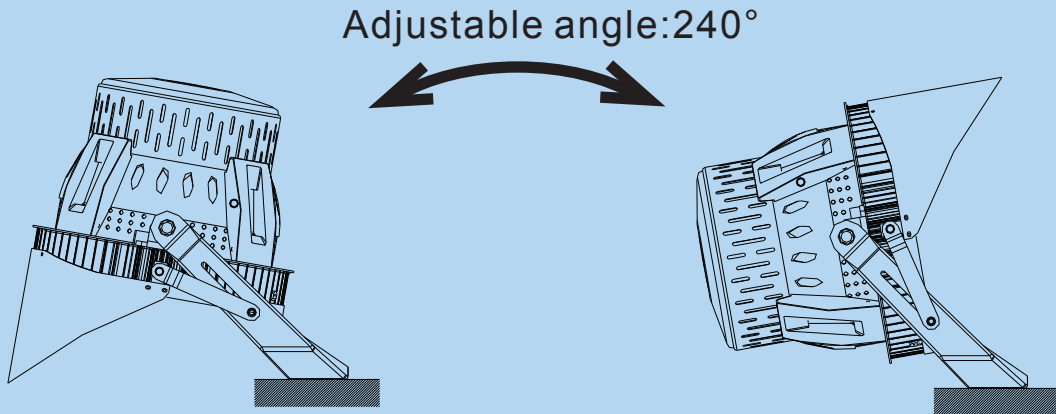


## APPLICATION:

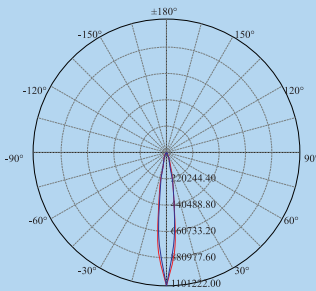
- ① Arena
- ② Gymnasium
- ③ Square plaza
- ④ Airport
- ⑤ High mast
- ⑥ Port
- ⑦ Spot light
- ⑧ Contour lighting



## INSTALLATION:



## PHOTOMETRIC DIAGRAMS:



NEMA 2		
Height	Mac FC	Beam Diameter
40 ft	721	20 ft
80 ft	180	41 ft
120 ft	80	61 ft
160 ft	46	82 ft
200 ft	30	102 ft
Beam Angle = 14.9 ° , Field Angle = 32 °		

NEMA 5		
Height	Mac FC	Beam Diameter
40 ft	91	67 ft
80 ft	21	134 ft
120 ft	9	201 ft
160 ft	6	268 ft
200 ft	4	336 ft
Beam Angle = 40 ° , Field Angle = 80 °		