

Post top area light



LED Post Top Area Light is designed to replace existing garden street light, yard light etc. There is 130lm/w high brightness. Photocell and dimmable function to save more energy. Durable chip and fade resistant powder coat finish are perfect for outdoor application. ETL/DLC listed with 5 years warranty.





LED Post Top Area Light

60W/100W/150W



120° Beam Angle Lens



140° Beam Angle Lens

Features:

- * Suitable to diameter 60mm/80mm pole.
- * CREE LED 130lm/w high brightness.
- * Dusk to dawn Photocell function available.
- * Dimmable available.
- * IP65 waterproof rating for wet and damp location.
- * Quiet operation, no audible hum or noise.
- * Working environment in -30°C to 50°C .
- * DLC/ETL/CE/ROHS/LM79/LM80 for quality assurance and safety operation.
- * IES files are available.
- * 5 years warranty.



Details:

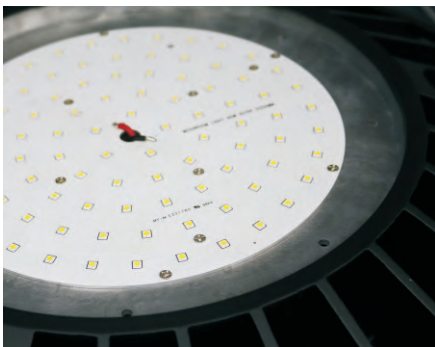
- Photocell Sensor



- Microwave Motion Sensor



- High brightness LED chips 130lm/w. LM79/LM80 Report.



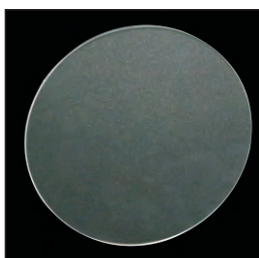
- The screw can adjust the hole size and fix with pole more closer and stable. Suitable to diameter 60mm/80mm pole.



60mm pole

80mm pole

Beam Angle:



120° Beam Angle Lens



140° Beam Angle Lens



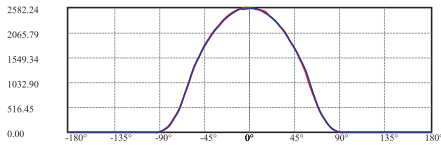
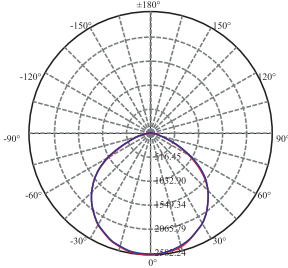
Specifications:

Model	GL-PT-60W	GL-PT-100W	GL-PT-150W
Wattage	60W	100W	150W
Luminous Flux	7800lm	13000lm	19500lm
Light Source Count	90pcs	140pcs	210pcs
LED Brand	CREE LED		
Color Temperature	3000K~6500K		
Input Voltage	AC100-277V, 50-60Hz		
Beam Angle	120 /140 Degree		
CRI	Ra>80		
PF	>0.9		
Life Hours	50,000		
IP Rating	IP65		
Dimension	φ 360*H520mm		
Package (L*W*H)	470*400*165 (mm)		
N.W	5.52kg	5.56kg	5.60kg
G.W	5.78kg	5.82kg	5.86kg



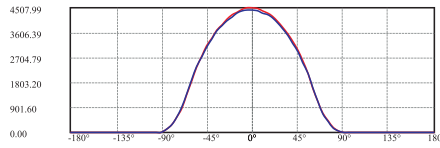
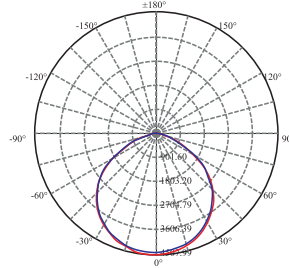
Photometry:

60W LED Post Top Area Light



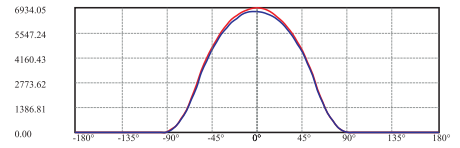
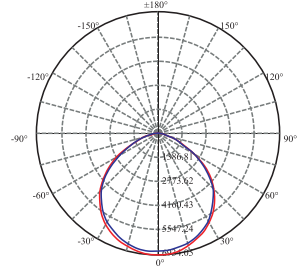
C0/C180: —
 C90/C270: —
 Field angle(10%Imax):C0/180Left:70.9 Right:79.4
 :C90/270Left:80.5 Right:69.7
 Beam Angle(50%Imax):C0/180Left:50.6 Right:59.2
 :C90/270Left:61.1 Right:50.2

100W LED Post Top Area Light



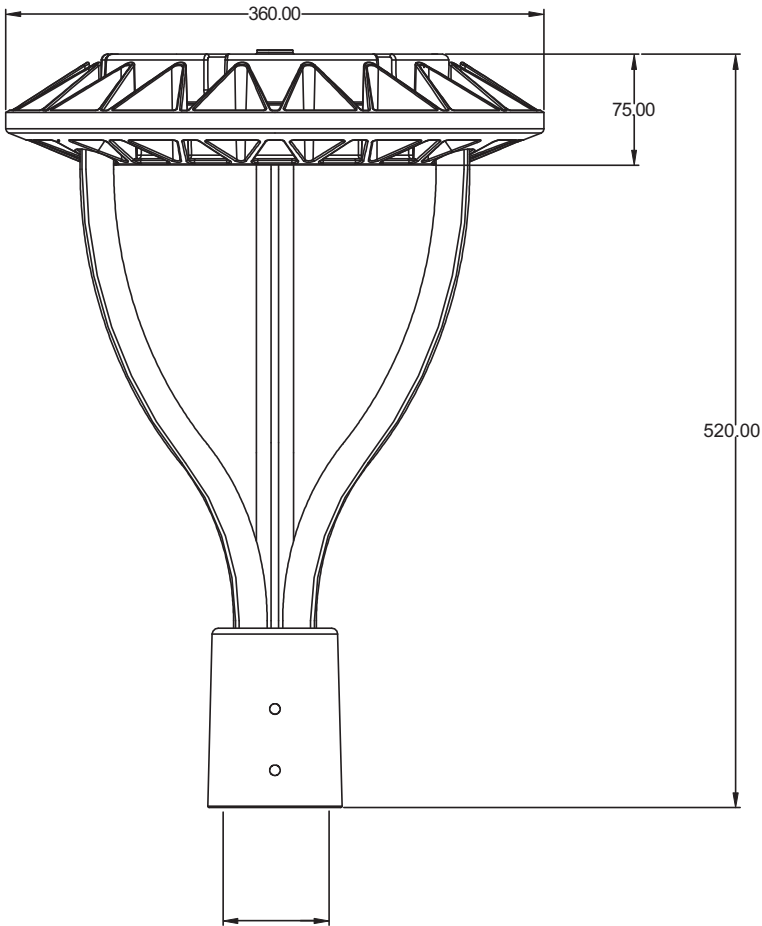
C0/C180: —
 C90/C270: —
 Field angle(10%Imax):C0/180Left:76.6 Right:74.2
 :C90/270Left:76.6 Right:73.9
 Beam Angle(50%Imax):C0/180Left:56.0 Right:53.7
 :C90/270Left:56.7 Right:53.9

150W LED Post Top Area Light

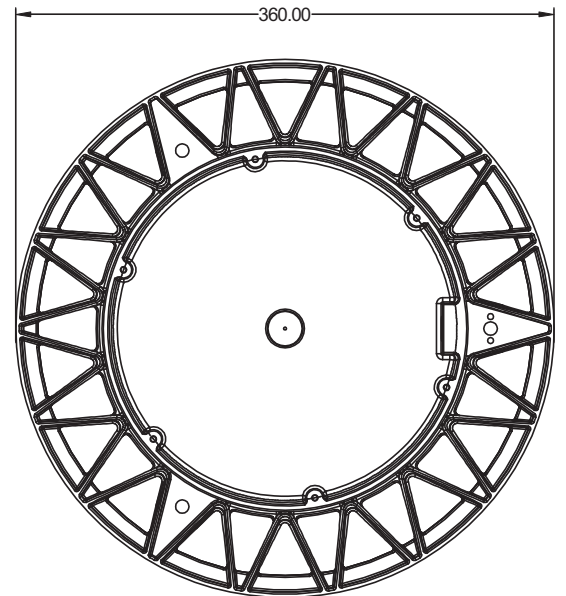


C0/C180: —
 C90/C270: —
 Field angle(10%Imax):C0/180Left:76.0 Right:74.4
 :C90/270Left:75.8 Right:74.6
 Beam Angle(50%Imax):C0/180Left:54.8 Right:53.3
 :C90/270Left:54.6 Right:53.3

Dimension:



60mm / 80mm pole



Packing:



Application:

Garage, parking lot, square, alley, back street, garden, yard etc.

