

TP500 series LED Post Top Light



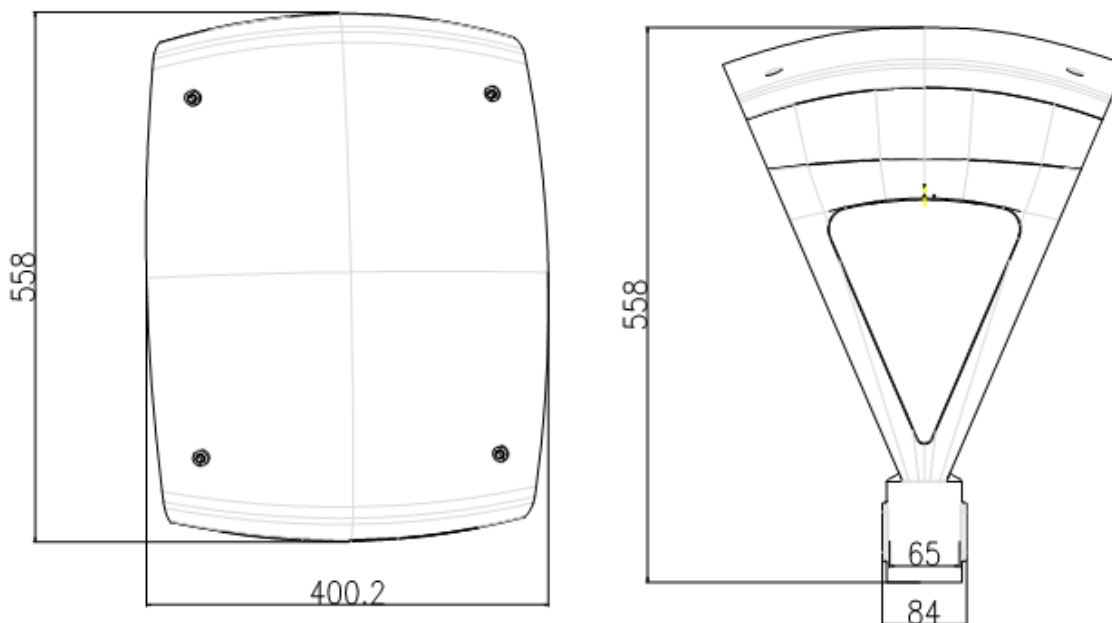
The new TP500 series LED Post Top Light is the fantastic result. This light is a perfect solution for outdoor parking lot and area lighting.

The body of is just so slim. But behind it is the superb system efficiency, heat radiation ability, and though endurance for brutal working environment. The TP500 series is from 35W to 300W, can replace up to 1000W traditional luminaire. Designed with efficiency in mind, the Yaorong LED post top light has a unique funnel heat sink for better heat dissipation, adding to the life of the fixture. Separate LED driver and light source allows for easy installation of the fixture. This fixture is IP65 rated, making it suitable for wet and damp locations.

Advantage:

- ETL cETL DLC FCC CE ROHS certificate
- Philips led Chip, high CRI
- Meanwell driver or SOSEN driver, Input voltage 120-277Vac or 200-480Vac
- 120/90/90*120/90*140/100*140° lens beam angle options
- Optional light-controlled and surge protection function
- Dia of pole is 60mm and 76mm options.
- Energy saving, Long lifespan
- Light is soft and uniform, Safe to eyes
- Photocell and TVSS can be applied.
- Fishbone style high efficiency heat sink.
- Easy installation and maintenance.
- Avaivable in 35w 50w 100w 150w 200w 300w.

Dimension





Technical Characteristic

Model	CCT	CRI	Luminous Flux	System Power	Package
YR-GLTP500-W35-X-Yn	3000K-5000K	≥75	110±5%LM	35W	1pc/ctn
YR-GLTP500-W50-X-Yn	3000K-5000K	≥75	110±5%LM	50W	1pc/ctn
YR-GLTP500-W100-X-Yn	3000K-5000K	≥75	110±5%LM	100W	1pc/ctn
YR-GLTP500-W150-X-Yn	3000K-5000K	≥75	110±5%LM	150W	1pc/ctn
YR-GLTP500-W200-X-Yn	3000K-5000K	≥75	110±5%LM	200W	1pc/ctn
YR-GLTP500-W300-X-Yn	3000K-5000K	≥75	110±5%LM	300W	1pc/ctn
Input Voltage: 100-277V or 200V-480V LED CHIP: Philips 3030 LED driver: Meanwell driver or SOSEN driver 1-10V Dimmable					
Working temperature: - 40 ~ + 65°C					

Color temperature	3000K , 3500K	4000K , 4500K	5000K
CRI	>70		
LED chip	Philips		
Lumen Efficacy	110-115 LM/W		
Input Power	35W, 50W, 100W, 150W, 200W, 300W		
Viewing Angle	100*140/90*140/90*120/85*135/90/120 Degree		
Input Voltage	120-277Vac 50/60Hz or 200-480V		
Driver model	Meanwell Driver or Sosen Driver		
PFC	>0.9		
Waterproof Rating	IP65		

Materials

Operating Temperature	-40°C TO 45°C
Operating Humidity	20%-90% RH
Storage Temperature	-30°C TO 80°C
Storage Humidity	10%-95%
Application	Outdoor
Safety Certification	ETL、cETL、DLC、CE、ROHS、FCC
Warranty Time	5 Years



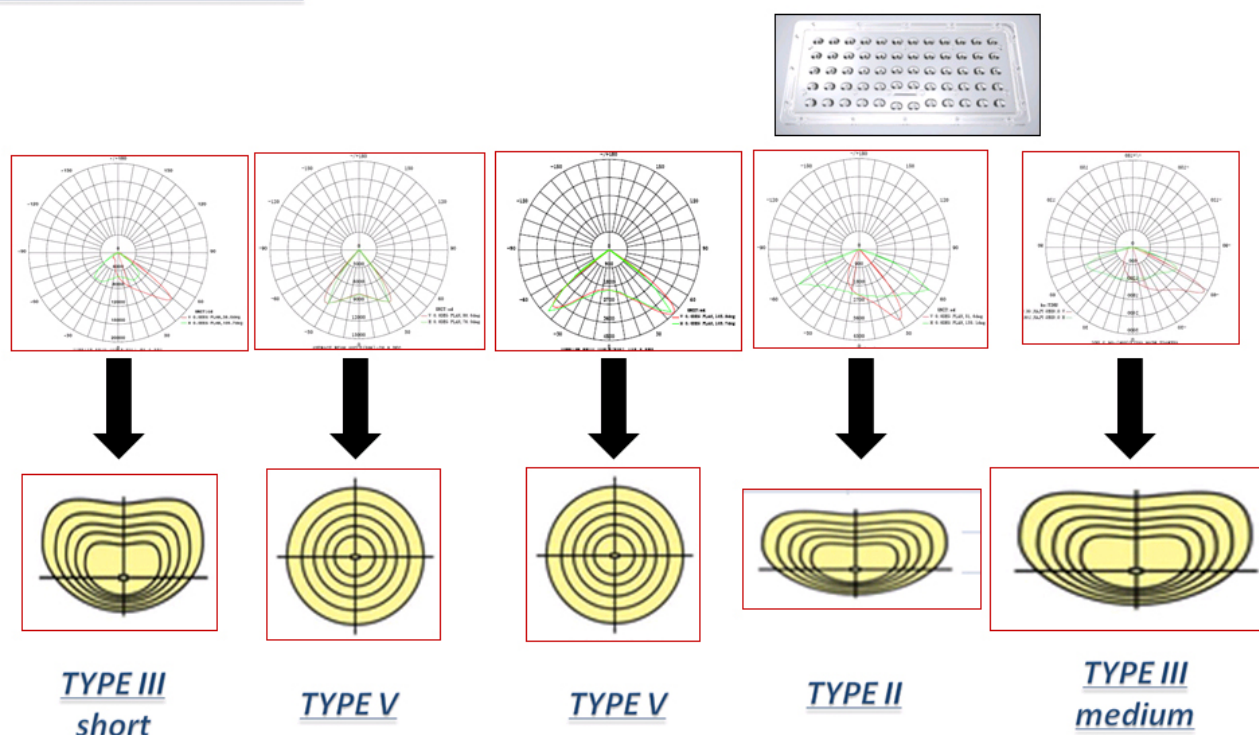
LED post top light:

Efficient, Customizable, and aesthetically modern, this fixture is one of the most popular products we've offered to date. An IP 65 rating makes this Area light reliable, but YaoRong takes the extra step to offer custom options you can really enjoy. This series offers color temperatures ranging from 3000-5000k, light distribution options, and add on's like photocells & surge protectors. it can be applied to areas like garden, road ways, and parking lots.

Lighting distribution Options
Heavy Duty Slim Design
High Performance LEDs
Meanwell Driver with Long Life Span
Effective Thermal Management
Dark Bronze , black or White Finish

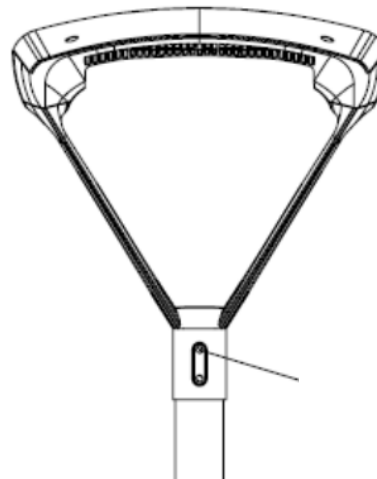
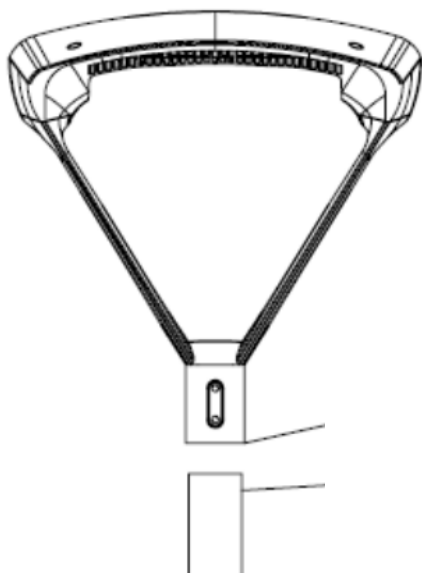
Lighting distribution advantage :

5 kinds of light distribution curve, Including TYPEII TYPEIII (Short, Medium) TYPEV



Installation Instruction:

Round Pole Diameter 76MM



1. The Pole's and the Bracket Diameter is 60MM

2 Tighten the M8 screws.



Dimmable cable
Blue is "+"
White is "-"



3 Connect the power lines.



A



B



C

Adapter



D



E



Installation Caution

- 1、 Make sure the power has been turned off before maintenance.
 - 2、 Clean the lens cover regularly to maintain high transmission of light.
 - 3、 Clean up the dust from the reflector and heat sink regularly to keep sound heat dispersion.
 - 4、 Be careful not to use water or corrosive solution for cleaning, preferably with a dry cloth.
 - 5、 When install or replace power supply, directly open the back cover with a screwdriver, then remove the power supply. There are three-core cable of AC power, red corresponds to the power of “L”, blue to “N”, and green or yellow to “G”.
-