

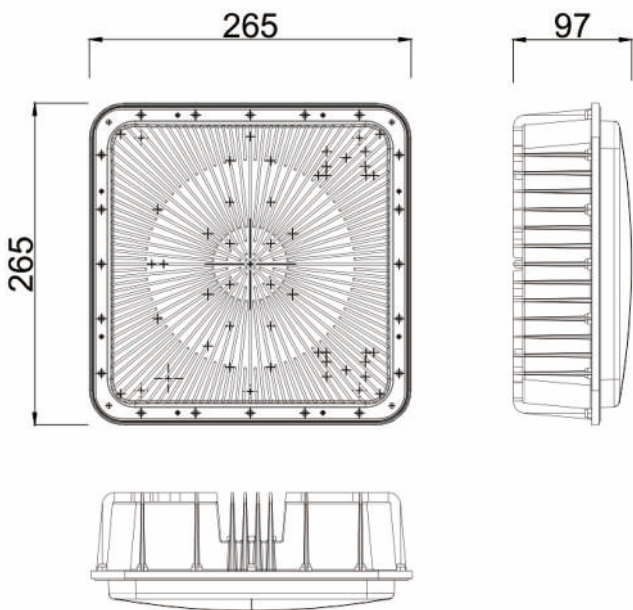


5 Years Warranty

FEATURES

- Main structural components for lamp body is ADC12 Die-cast aluminum, with advantages of Shock Resistance, Corrosion Resistance.
- High temperature resistance silicone seals, no atomization.
- Electrostatic spray processing for Structural components. Corrosion Resistance, fungus-proof testing for 1000hrs.
- Imported PC material for optical lens.
- IP65 Waterproof
- High efficiency for the light distribution. Easy installation and maintenance.
- Application for Gas station, shopping mall, toll station, work shop etc.

DIMENSION



DIMENSION

Parameter	Rating
Heat Sink Temp	65°C
Operating Temp	-20 ~+ 65°C
Storage Temp	-40 ~+ 80°C
Equilibrium Temp	25°C

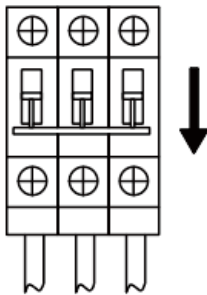
AGING



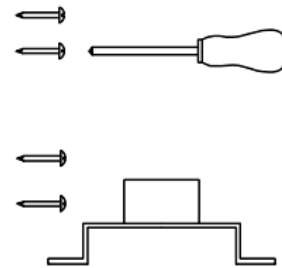
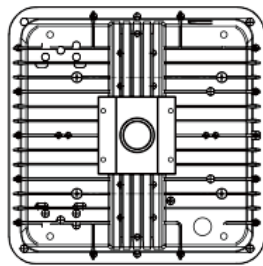
Model	Power	Size	Lumen	Beam Angle	CCT	Voltage	Power Factor	CRI	Net Weight
CH-CANOPY-W50-S3	50W	265x265x97MM	5000lm	120°	2700/3000/4000/5000/>6000K	AC100-277V	>0.95	≥83	3.0kg
CH-CANOPY-W75-S3	75W	265x265x97MM	7500lm	120°	2700/3000/4000/5000/>6000K	AC100-277V	>0.95	≥83	3.0kg

Installation Instructions

- 1.This instruction is only for canopy CH-CANOPY-W50-S3 with pole installation.
- 2.This products must be installed by professional electrician.
- 3.Please install the products with the instruction manual.
- 4.Should you have any question, please contact us for help.



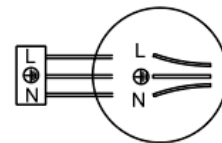
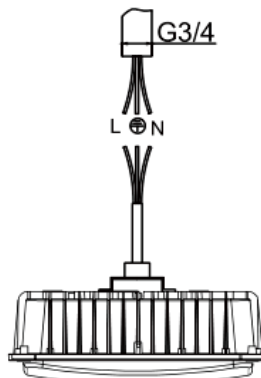
Step1: Turn off the power before installation.



Step2: Fix the mounting plate of the pole seat on the backside of the led fixture.

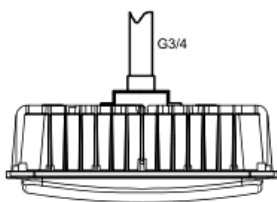


Step3. Prepare a G3/4 pole, the length depends on the demand.

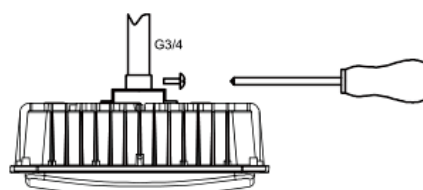


Step4: Connect the cables from wall and led fixture according to the drawing.

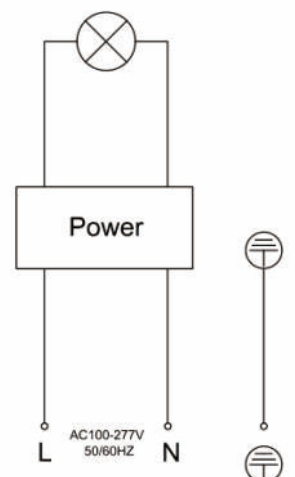
General connection diagram



Step5.
Step6. Screw the led fixture on the pole through the pole seat.

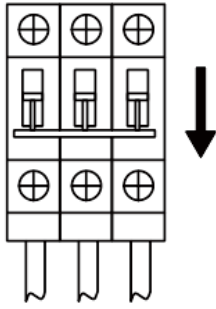


Step6. Fix the socket set screw tight to lock the led fixture on the pole.

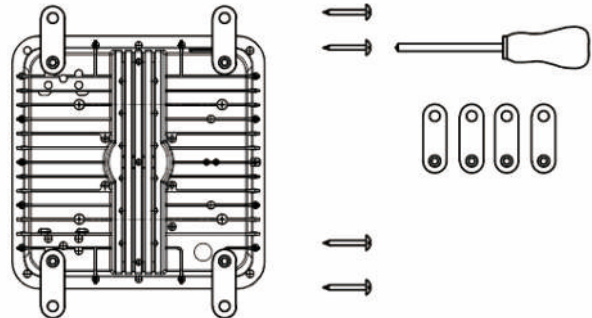


Installation Instructions

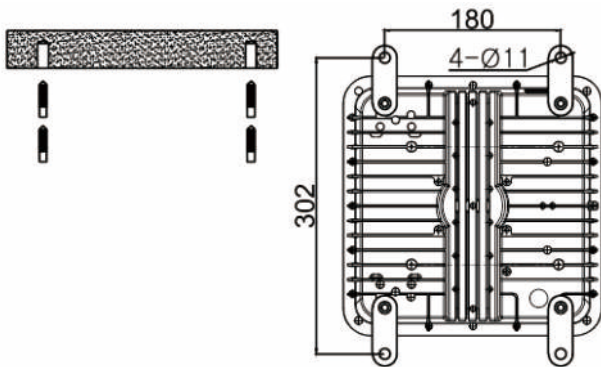
- 1.This instruction is only for canopy CH-CANOPY-W50-S3 with 4 mount bars installation.
- 2.This products must be installed by professional electrician.
- 3.Please install the products with the instruction manual.
- 4.Should you have any question, please contact us for help.



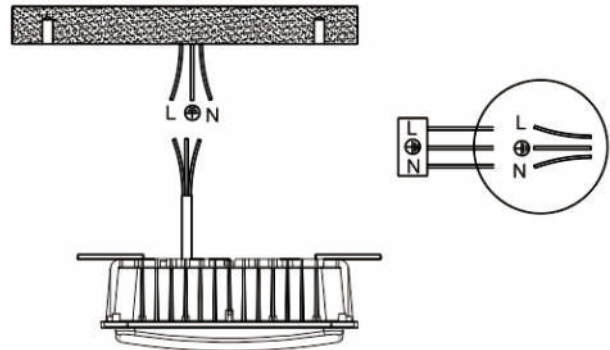
Step1: Turn off the power before installation.



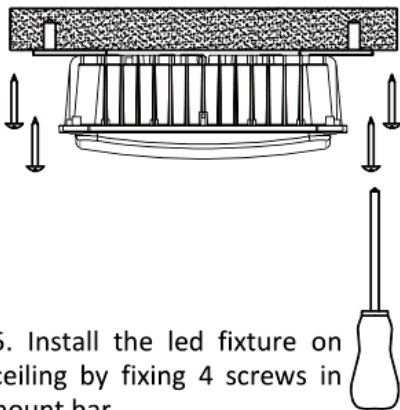
Step2: Screw the 4 mounting bars on the backside of led fixture.



Step3. Drill the holes on the ceiling according to the drawing. (Unit: mm)

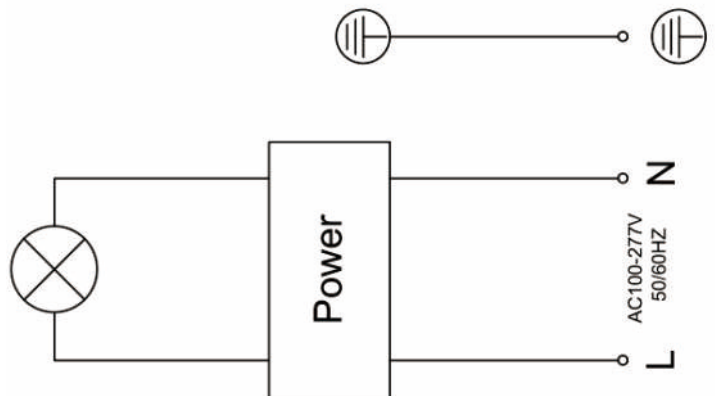


Step4: Connect the cables according to the drawing.



Step5. Install the led fixture on the ceiling by fixing 4 screws in the mount bar.

General connection diagram



Packing Details

Box Size	280x280x110mm
Pack Quantity	4pcs/ctn
Gross Weight	12.0kg/ctn
CTN Size	470x285x300mm

