

**CGT**

# FL-F3

**LED Flood Light**

20W- 400W

130lm/w

IP66



**CCT Selectable**

**Easy To Make Inventory Reserve**



- IP66 waterproof/dust proof/explosion proof/IK08
- Pure Aluminum shape good at heat dissipation
- High Lumens 120lm/w
- Philips SMD3030 Ra>80, R9>0, SDCM<5
- 30° 60° 90° 120° TYPE2,TYPE3 Distribution
- CE, CB, TUV, ENEC certification
- 5 Years warranty

CE CB



High light transmittance glass and multiple Angle PC lens

Philips SMD3030 LED Chips  
130lm/w , CRI>80, R9>0

Waterproof structure Design  
IP66 rated.

High Quality Driver

Die-Casting Aluminum body  
With good Heat Dissipation.

Label position .

Breather ensure air balance inside and outside of  
the fixture, which can improves fixture's lifetime

Rotating Bottom 270°



# Parameter

## Photoelectric

Model No.	Power	Distribuion	LED QTY	Efficacy	Lumens	CRI
FL-20F3	20W	30°, 60°, 90°, 120°, T2, T3	16	120lm/w	2400lm	>70/80
FL-30F3	30W	30°, 60°, 90°, 120°, T2, T3	32	120lm/w	3600lm	>70/80
FL-50F3	50W	30°, 60°, 90°, 120°, T2, T3	48	120lm/w	6000lm	>70/80
FL-100F3	100W	30°, 60°, 90°, 120°, T2, T3	96	120lm/w	12000lm	>70/80
FL-150F3	150W	30°, 60°, 90°, 120°, T2, T3	160	120lm/w	18000lm	>70/80
FL-200F3	200W	30°, 60°, 90°, 120°, T2, T3	240	120lm/w	24000lm	>70/80
FL-250F3	250W	30°, 60°, 90°, 120°, T2, T3	300	120lm/w	30000lm	>70/80
FL-300F3	300W	30°, 60°, 90°, 120°, T2, T3	320	120lm/w	36000lm	>70/80
FL-400F3	400W	30°, 60°, 90°, 120°, T2, T3	510	120lm/w	48000lm	>70/80

### Lighting Source

LED Type: Philips SMD3030  
 CCT: 3000K/4000K/5000K/5700K/6500K  
 CRI: >70 or >80  
 SDCM<5

### Electrical Driver

Input Voltage: 100-277Vac 50-60Hz  
 Power Factor: >0.9  
 THD: <15%  
 Driver Brand: CGT/Sosen/Meanwell

### Lamp Body

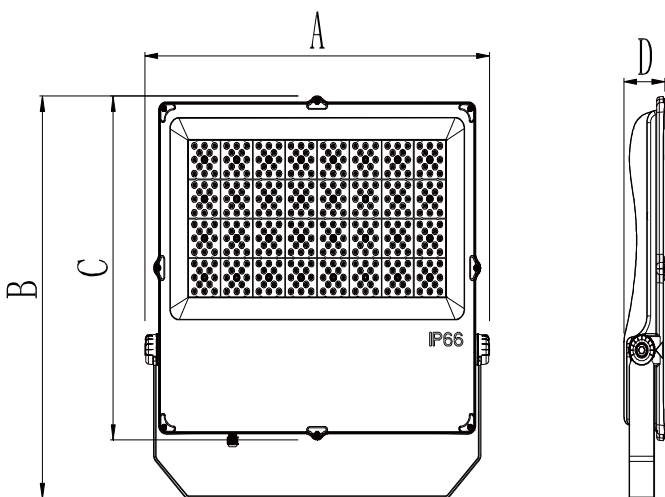
Material: Die-casting Aluminum  
 Diffuser: plastic PMMA  
 IP/IK Rating: IP66, IK08  
 Finish: Black

### Environment

Working Temp: -40°C ~ 45 °C  
 Storage Temp.: -40°C ~ 60 °C  
 Application: outdoor(IP66)  
 Lifespan(L70): >100,000 Hours

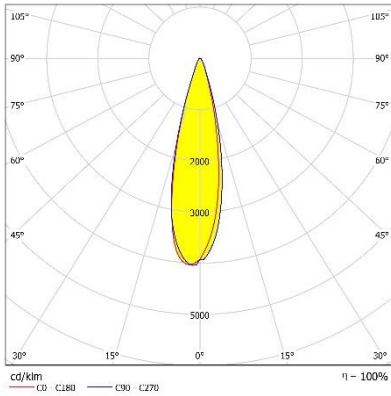
## Dimension

Unit: mm

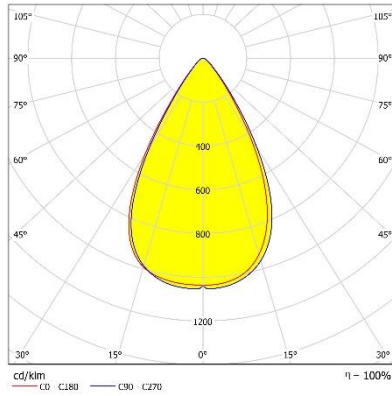


Model	A	B	C	D	N.W(kg)
20W	122	182	150	47	0.8kg
30W	169	248	200	51	1.2kg
50W	228	288	230	52	1.8kg
100W	278	364	300	52	2.6kg
150W	394	394	325	56	5.1kg
200W	394	445	376	56	5.8kg
250W	394	497	427	58	7.1kg
300W	394	497	427	58	7.6kg
400W	545	523	447	65	10.8kg

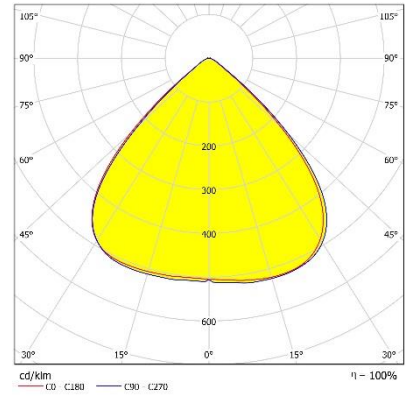
# Photometric



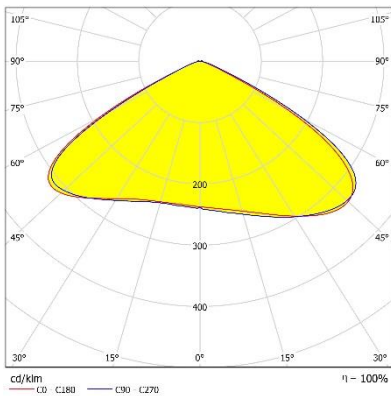
30°



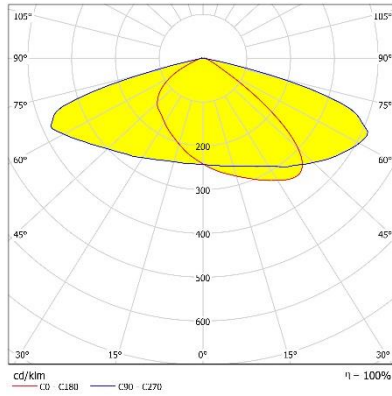
60°



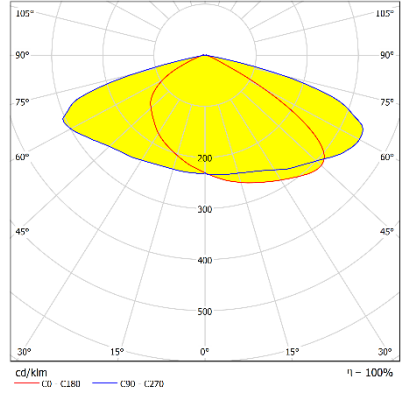
90°



120°



TYPE 2



TYPE 3

## Order Information

Sample: FL-150F3-40k120

	-XXX	XXX	-XX
<b>Product Family</b>	<b>CCT</b>	<b>Beam Angle</b>	<b>Driver</b>
<b>HB-xxF3</b> (XX be defined as power, 20=20W, 30=30W, 50=50W, 100=100W, 150=150W, 200=200W, 250=250W, 300W=300W, 400=400W)	<b>CCT = CCT Adjustable ①</b> <b>30K</b> = 3000K <b>40K</b> = 4000K <b>50K</b> = 5000K <b>57K</b> = 5700K <b>65K</b> = 6500k	30 = 30° 60 = 60° 90 = 90° 120 = 120° T2= TYPE 2 T3= TYPE 3	N= Normal CE driver SS= SoSen driver MW= Meanwell driver DOB= Driver on board ②
<b>In Standard</b>	<b>Options (add as Suffix)</b>		
Black Finish 120lm/w CRI>80 Input Voltage: 100-277Vac 50/60Hz	304 Stainless steel Bracket ( MOQ200pcs) 316 stainless screws (MOQ200pcs) Other customized		

### Remark:

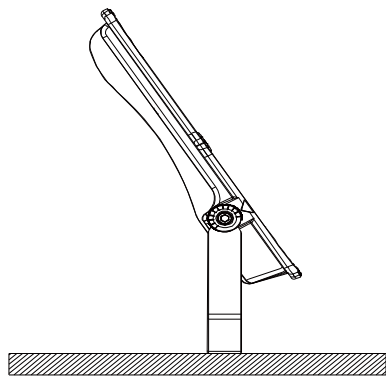
- ① CCT Adjustable version with 120° Distribution only
- ② DOB version with 120° distribution only

### Accessories (Order separately)

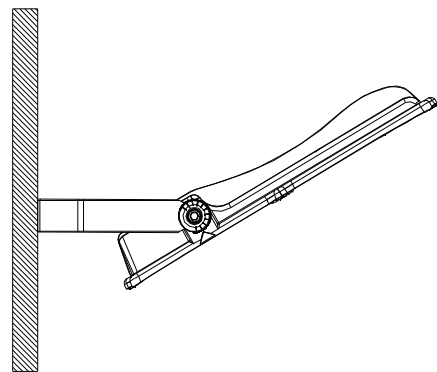
FL-F3-SB: Slip Fitter Bracket for Pole



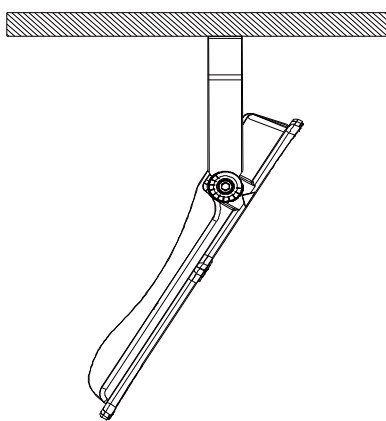
## Installation Way



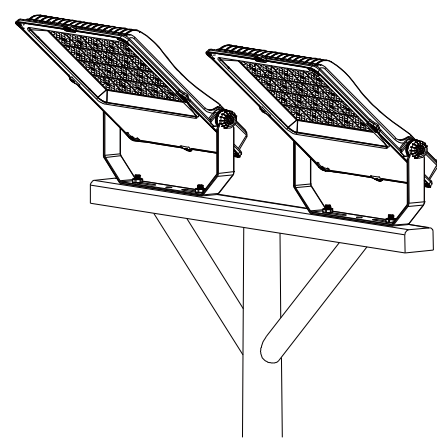
A. Horizontal Installation



B. Wall Mounting

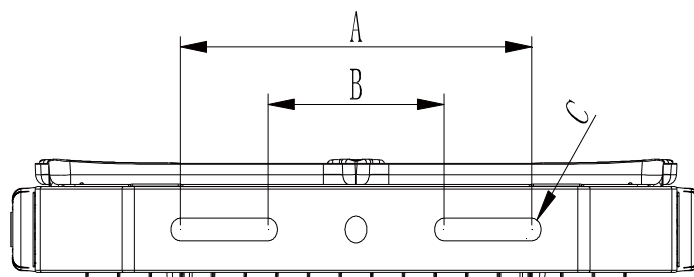


C. Ceiling Installation



D. Pole Installation

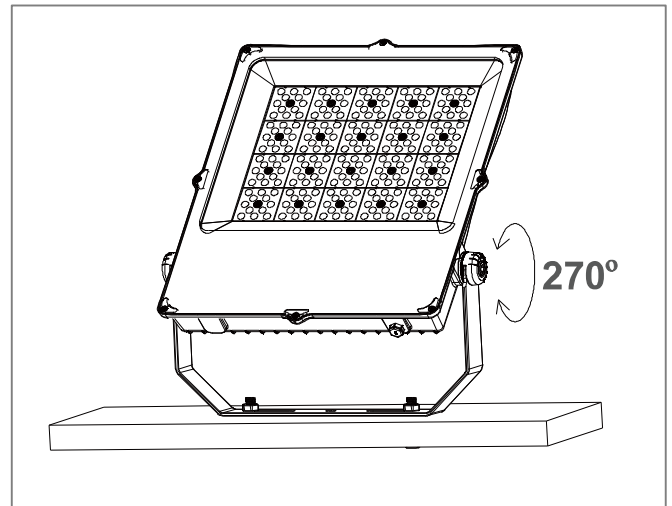
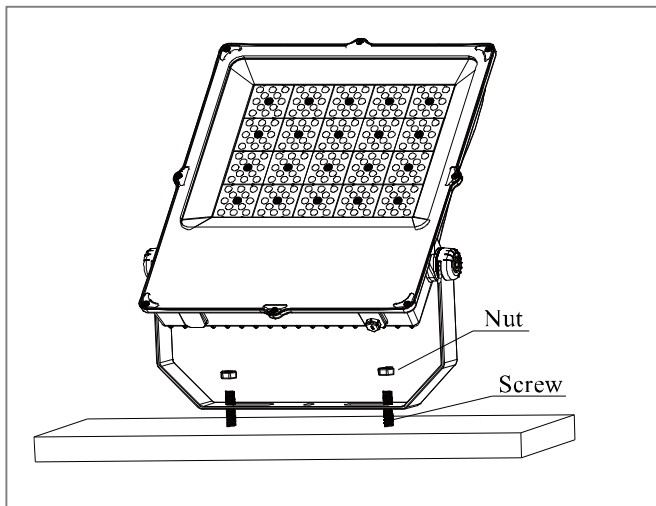
## Mounting Hole Size



Model No.	Power	Size A(mm)	Size B(mm)	Size C(mm)
FL-20F3	20W	84	44	6.5
FL-30F3	30W	112	72	8.0
FL-50F3	50W	140	100	10.5
FL-100F3	100W	140	100	10.5
FL-150F3	150W	200	100	10.5
FL-200F3	200W	200	100	10.5
FL-250F3	250W	200	100	10.5
FL-300F3	300W	200	100	10.5
FL-400F3	400W	200	100	10.5



## Installation



### STEP 1:

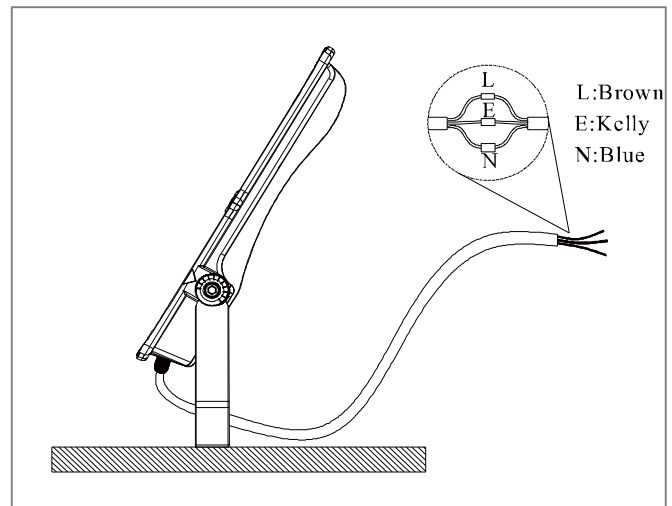
Place the lamp in the corresponding mounting position, align the mounting hole, insert the screw,

### STEP 2:

Tighten the screw with a wrench and adjust the lighting angle

### STEP 3:

Connect input cord and keep waterproof. And turn on.



## Package Information

ITEM	QTY/CTN	G. W.(kg)	CTN SIZE	CBM	QTY/20GP	QTY/40HQ
HB-20F3	20pcs	13kg	41x28x29cm	0.031	16000	40000
HB-30F3	10pcs	11kg	37x27x32cm	0.059	8400	22000
HB-50F3	10pcs	16kg	48x31x32cm	0.045	5500	14000
HB-100F3	10pcs	26kg	59x36x32cm	0.067	3700	9700
HB-150F3	1pcs	5.2kg	44x42x12cm	0.022	1130	2900
HB-200F3	1pcs	6.2kg	49x42x12cm	0.024	1000	2700
HB-250F3	1pcs	7.5kg	54x42x12cm	0.027	900	2400
HB-300F3	1pcs	7.6kg	54x42x12cm	0.027	900	2400
HB-400F3	1pcs	11kg	58x55x12cm	0.037	650	1700