

FL-C3 FLOODLIGHT

- High Quality
- With Driver
- Ultra Economy



CGT

- General purpose floodlight
- Integrated visor for reduced glare
- IP65 rating protects against dust and water
- Robust 1/2 NPSM knuckle mount or "U" YOKE bracket mount
- Suitable for ground mounting
- High Lumens 130lm/w
- Photocell optional
- L70>100,000-Hours lifespan
- 5 Years Warranty



Repair or replace product Freely in warranty



Visit designlights.org to see which models are DLC listed



ETL for USA
cETL for CANADA



High efficiency fresnel lens up to 130lm/w, Glare-Free to protect people eyes!



The 1/2 NPSM knuckle mount is designed with rugged, locking Teeth to keep installations securely in place. No drooping!



The "U" YOKE bracket mount can For more different installations in different place.



Have an integrated visor that reduces observable glare.



Suitable for ground mounting
Specialized Drainage Notch For Drain away water.
Don't worry the water will go into the lamp body!



Photocell

Non-Photocell

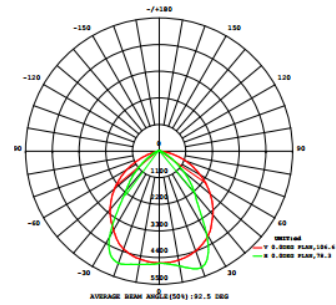
Photocell option add \$1 only
And support to remove it easily

Photocell:
Connect the terminal
Non-photocell:
Remove the terminal

Parameter

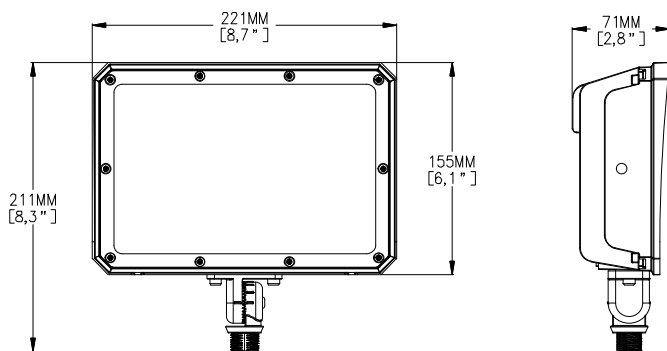
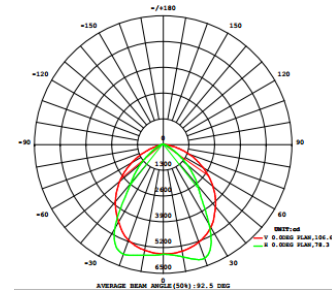
[FL-80C3] 80W-10650lm (Replace up to 300W MH)

Color Temperature:	3000K/4000K/5000K/5700K
Input Watts:	80W
Input Voltage:	100-277Vac
Efficacy(lm/w):	135lm/w
Lumens output:	10650lm
Color Accuracy(CRI):	70+
Intelligent Function:	Photocell optional

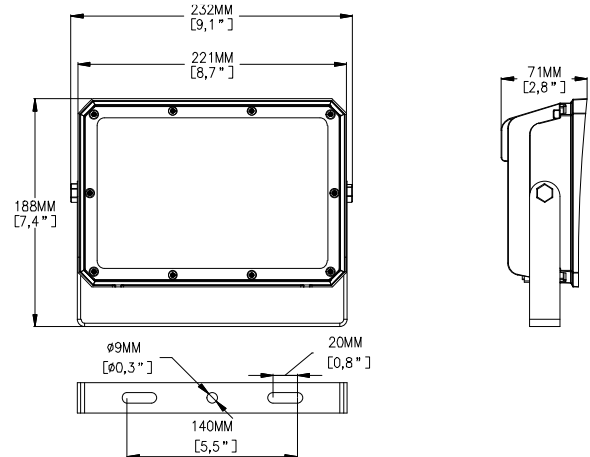


[FL-100C3] 100W-13000lm (Replace up to 400W MH)

Color Temperature:	3000K/4000K/5000K/5700K
Input Watts:	100W
Input Voltage:	100-277Vac
Efficacy(lm/w):	130lm/w
Lumens output:	13000lm
Color Accuracy(CRI):	70+
Intelligent Function:	Photocell optional



1/2 NTSM Knuckle Mount 1.5kg(3.3lbs)



"U" YOKE Bracket: 1.5kg(3.3lbs)

Driver

Constant Current, 100-277Vac, 50-60Hz
Power Factor>0.9, HTD<20%

LED chips

Lumileds Brand SMD3030, Long-life, High-efficacy

IP Rating

Ingress Protection rating of IP65 for dust and water

Housing

Die-casting aluminum with good heat dissipation.

Finish

Brown Color in standard, White or Black color optional.
Formulated for high durability and long-lasting color

Diffuser

Plastic , UV-Resistant , No yellowish worry.

Installation

1/2 NPSM knuckle mount with 180° adjustable swivel arm or Surface mounted "U" YOKE Bracket.

Cold Weather Starting:

Minimum starting temperature is -40° C (-40° F)

Maximum Ambient Temperature:

Suitable for use in 40° C (104° F) ambient temperatures

Lifespan

All have minimum 50,000 hrs. LED lifespan
@ L70>100,000hours, @L90>50,000hours based on LM80 test data and TM21 reported results

Certification:

ETL, cETL, DLC

Order Information

Sample: FL-100C3-50-D

	-XX	-X
Product Family	CCT	Bracket
FL-80C3 = 80W FL-100C3 = 100W	30 = 3000K 40 = 5000K 50 = 5000K 57 = 5700K	D = 1/2 NPSM knuckle arm mount E = "U" YOKE bracket mount
In Standard	Options (add as Suffix)	
Brown Finish 100-277Vac 130lm/w CRI>70	P = Photocell WH = White color finish (MOQ>500pcs) BL = Black color finish (MOQ>500pcs) Other customized	

Package Information

ITEM	QTY/CTN	G. W.	CTN SIZE	Means(CBM)
FL-80C3	10pcs	15kg(33lb)	46x26x47cm (116"x66x119")	0.057
FL-80C3	10pcs	15kg(33lb)	46x26x47cm (116"x66x119")	0.057

Container Loading QTY

ITEM	20GP	40GP	40HQ
FL-80C3	4700	10000	11000
FL-100C3	4700	10000	11000