

# GLBN-42A-XX

LED Barn Light 42W 4600lm



## Features

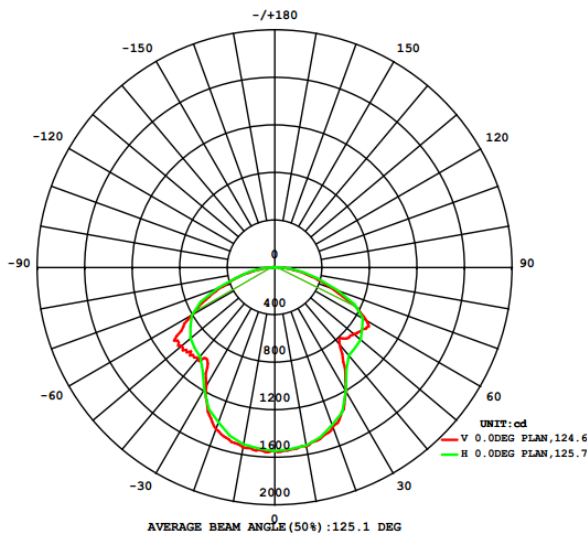
- Integrated die-casting forming, with effective heat dissipation.
- IP65 for Wet location.
- Photocell
- ETL, DLC in List.
- 5 Years warranty

## Parameter

Model No.:	BN-42A
Power Consumption:	42W
Input Voltage:	100-277Vac 50/60Hz
LED Type	Philips SMD3030
Lumens Output:	4600lm
CRI	70+
Color Temperature:	2700K, 4000K, 5000K, 5700K
Beam Angle:	120°
Power Factor:	>0.90
IP Rating	IP65 / Wet location
Working Temp.:	-20° C ~ 50° C
Storage Temp.:	-40° C ~ 70° C
Finish:	Brown
Housing	Aluminum+PC cover
IK Rating	IK07
Installation	Wall mounting, Arm Mounting
Fixture Weight:	1.2kg(2.64lb)
Certification:	ETL, DLC in pending
Warranty:	5 years



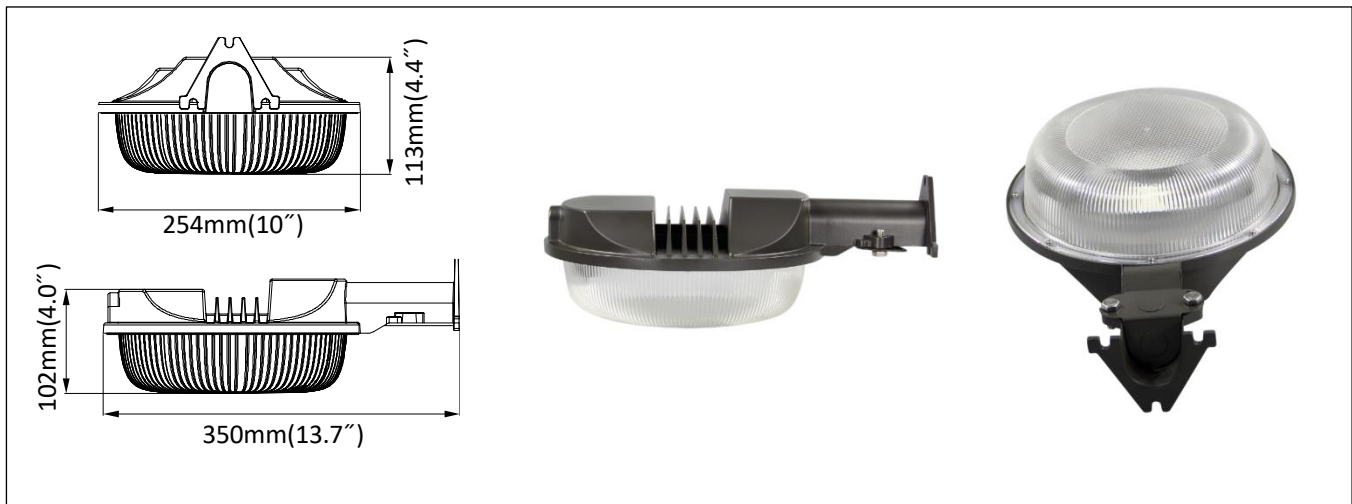
## Photometric



## Lux Charts

	Evag, Emax	Diameter
2m	77lx, 388lx	761cm
3m	34lx, 172lx	1142cm
4m	19lx, 97lx	1522cm
5m	12lx, 62lx	1903cm

## Dimension and Picture



Ordering Information		Voltage	Finish	CCT	Lumens	Photocell
GLBN-42A-40	42W	100-277Vac	Brown	4000K	4600lm	/
GLBN-42A-50	42W	100-277Vac	Brown	5000K	4600lm	/
GLBN-42A-40(PC)	42W	100-277Vac	Brown	4000K	4600lm	Yes
GLBN-42A-50(PC)	42W	100-277Vac	Brown	5000K	4600lm	Yes
GLBN-42A-40(Bracket)	42W	100-277Vac	Brown	4000K	4600lm	/
GLBN-42A-50(Bracket)	42W	100-277Vac	Brown	5000K	4600lm	/
GLBN-42A-40(Bracket)(PC)	42W	100-277Vac	Brown	4000K	4600lm	Yes
GLBN-42A-50(Bracket)(PC)	42W	100-277Vac	Brown	5000K	4600lm	Yes

- Finish: Brown (other Finish, please call us for quotation)
- Other color temperature 3000K-5700K Optional, please call us for checking lead time.

## Packaging

Item	Q'ty/CTN	G. W.	CTN Size
GLBN-42A-40	4pcs	8.2kg(18lb)	58x39x33cm
GLBN-42A-40(Bracket)	4pcs	12.1kg(26.6lb)	73x49x33cm

## Container Loading QTY

Item	20'GP	40'GP	40'HQ
GLBN-42A-40	1496pcs	3096pcs	3628pcs
GLBN-42A-40(Bracket)	952pcs	1968pcs	2308pcs

