

# GLFL-C3 FLOODLIGHT



- High Quality
- With Driver
- Ultra Economy



- General purpose floodlight
- Integrated visor for reduced glare
- IP65 rating protects against dust and water
- Robust 1/2 NPSM knuckle mount  
or "U" YOKE bracket mount
- Suitable for ground mounting
- High Lumens 130lm/w
- Photocell optional
- L70>100,000-Hours lifespan
- 5 Years Warranty



Repair or replace  
product Freely  
in warranty



Visit [designlights.org](http://designlights.org)  
to see which models  
are DLC listed



ETL for USA  
cETL for CANADA



High efficiency fresnel lens  
up to 130m/w, Glare-Free to  
protect people eyes!



The 1/2 NPSM knuckle mount is  
designed with rugged, locking  
Teeth to keep installations  
securely in place. No drooping!



The "U" YOKE bracket mount ca  
For more different installations  
in different place.



Have an integrated visor that  
reduces observable glare.



Suitable for ground mounting  
Specialized Drainage Notch  
For Drain away water.  
Don't worry the water will go  
into the lamp body!



Photocell

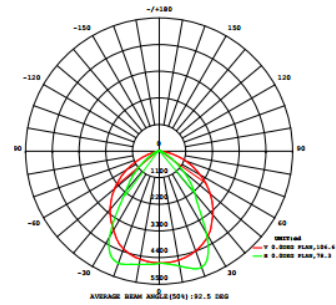
Non-Photocell

Photocell option add \$1 only  
And support to remove it easily  
**Photocell:**  
Connect the terminal  
**Non-photocell:**  
Remove the terminal

# Parameter

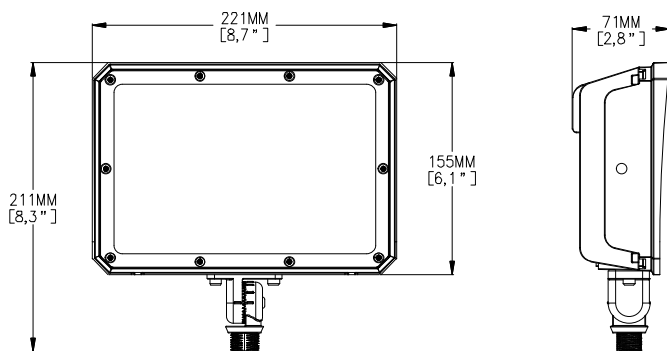
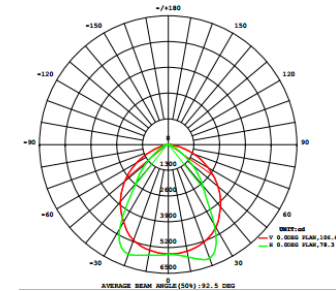
## [GLFL-80C3] 80W-10650lm (Replace up to 300W MH)

Color Temperature: 3000K/4000K/5000K/5700K  
 Input Watts: 80W  
 Input Voltage: 100-277Vac  
 Efficacy(lm/w): 135lm/w  
 Lumens output: 10650lm  
 Color Accuracy(CRI): 70+  
 Intelligent Function: Photocell optional

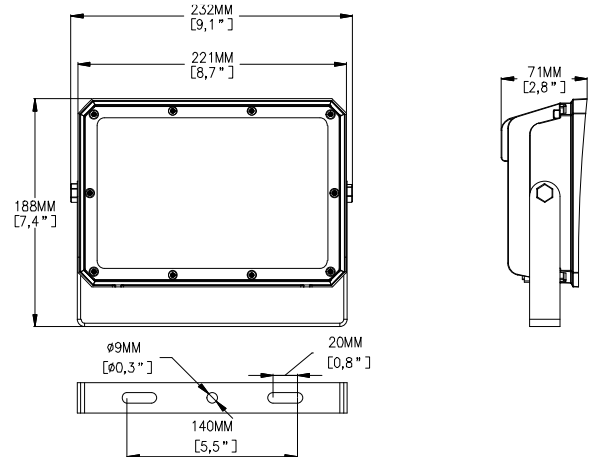


## [GLFL-100C3] 100W-13000lm (Replace up to 400W MH)

Color Temperature: 3000K/4000K/5000K/5700K  
 Input Watts: 100W  
 Input Voltage: 100-277Vac  
 Efficacy(lm/w): 130lm/w  
 Lumens output: 13000lm  
 Color Accuracy(CRI): 70+  
 Intelligent Function: Photocell optional



1/2 NTSM Knuckle Mount 1.5kg(3.3lbs)



"U" YOKE Bracket: 1.5kg(3.3lbs)

### Driver

Constant Current, 100-277Vac, 50-60Hz  
 Power Factor>0.9, HTD<20%

### LED chips

Lumileds Brand SMD3030, Long-life, High-efficacy

### IP Rating

Ingress Protection rating of IP65 for dust and water

### Housing

Die-casting aluminum with good heat dissipation.

### Finish

Brown Color in standard, White or Black color optional.  
 Formulated for high durability and long-lasting color

### Diffuser

Plastic , UV-Resistant , No yellowish worry.

### Installation

1/2 NPSM knuckle mount with 180° adjustable swivel arm or Surface mounted "U" YOKE Bracket.

### Cold Weather Starting:

Minimum starting temperature is -40° C (-40° F)

### Maximum Ambient Temperature:

Suitable for use in 40° C (104° F) ambient temperatures

### Lifespan

All have minimum 50,000 hrs. LED lifespan  
 @ L70>100,000hours, @L90>50,000hours based on LM80 test data and TM21 reported results

### Certification:

ETL, cETL, DLC

## Order Information

Sample: GLFL-100C3-50-D

|  | -XX   | -X   |
|--|---|--|
| Product Family                               | CCT   | Bracket  |
| GLFL-80C3 = 80W<br>GLFL-100C3 = 100W         | 30 = 3000K<br>40 = 5000K<br>50 = 5000K<br>57 = 5700K  | D = 1/2 NPSM knuckle arm mount<br>E = "U" YOKE bracket mount |
| In Standard                                  | Options (add as Suffix)   |  |
| Brown Finish<br>100-277Vac 130lm/w<br>CRI>70 | P = Photocell<br>WH = White color finish (MOQ>500pcs)<br>BL = Black color finish (MOQ>500pcs)<br>Other customized |  |

## Package Information

| ITEM      | QTY/CTN | G. W.      | CTN SIZE                  | Means(CBM) |
|-----------|---------|------------|---------------------------|------------|
| GLFL-80C3 | 10pcs   | 15kg(33lb) | 46x26x47cm (116"x66x119") | 0.057      |
| GLFL-80C3 | 10pcs   | 15kg(33lb) | 46x26x47cm (116"x66x119") | 0.057      |

## Container Loading QTY

| ITEM       | 20GP | 40GP  | 40HQ  |
|------------|------|-------|-------|
| GLFL-80C3  | 4700 | 10000 | 11000 |
| GLFL-100C3 | 4700 | 10000 | 11000 |